

INSTALLATION Directions

Handbook for the carpenter

Before the installation- Combi BI60

Needed pieces for the BI60 installation

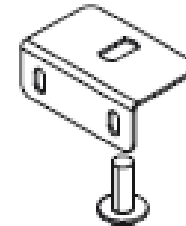
Installation brackets (2 units)

Adjustment screws and nuts (4 units)

Crossing sets (4 units)

Attaching brackets (6 units)

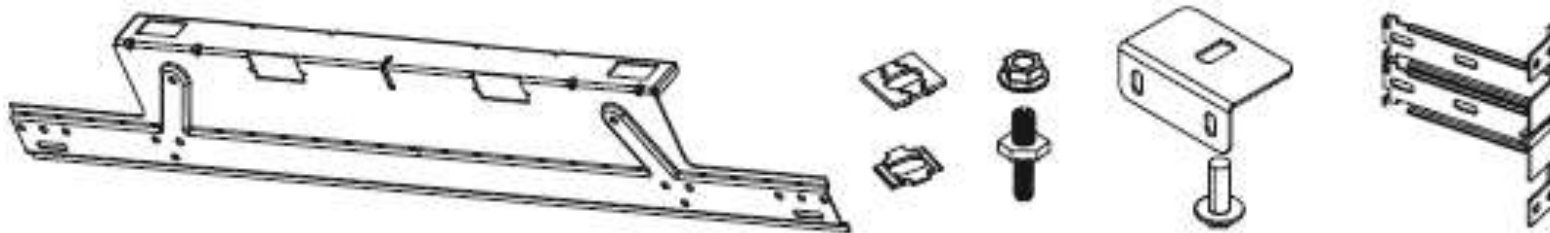
Hinge's cover set (4 units)



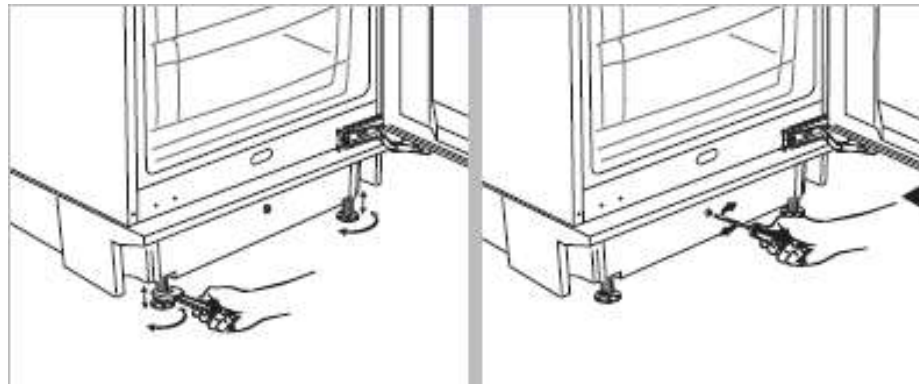
Handbook for the carpenter

Before the installation- Combi BI60

1. Check the pieces you need for the installation



2. If the plinth of your kitchen is higher than 4 inches, elevate the fridge 1 inch. This operation will help you in the installation and the adjustment of the panels.



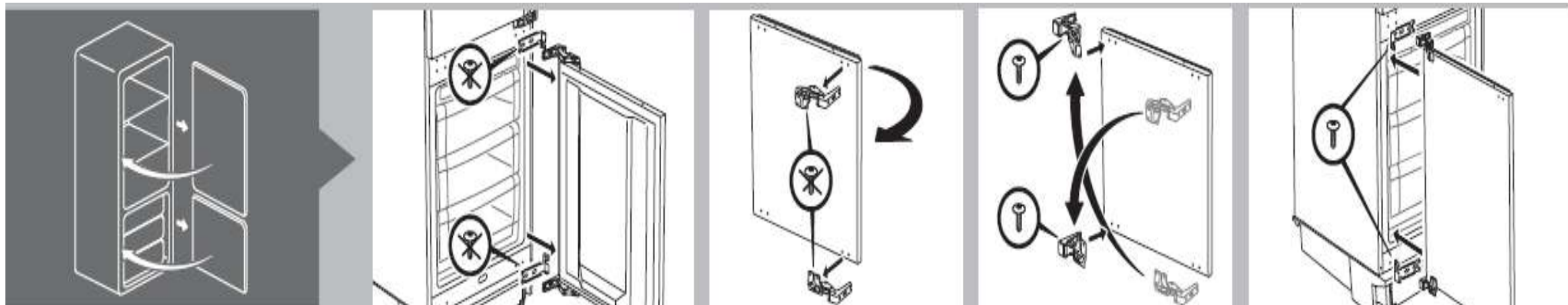
Change the opening direction of the doors

1. Top Door

1. The top hinge is right at the bottom left
2. The bottom hinge is right at the top left

2. Bottom Door

1. The top hinge is right at the bottom left
2. The bottom hinge is right at the top left

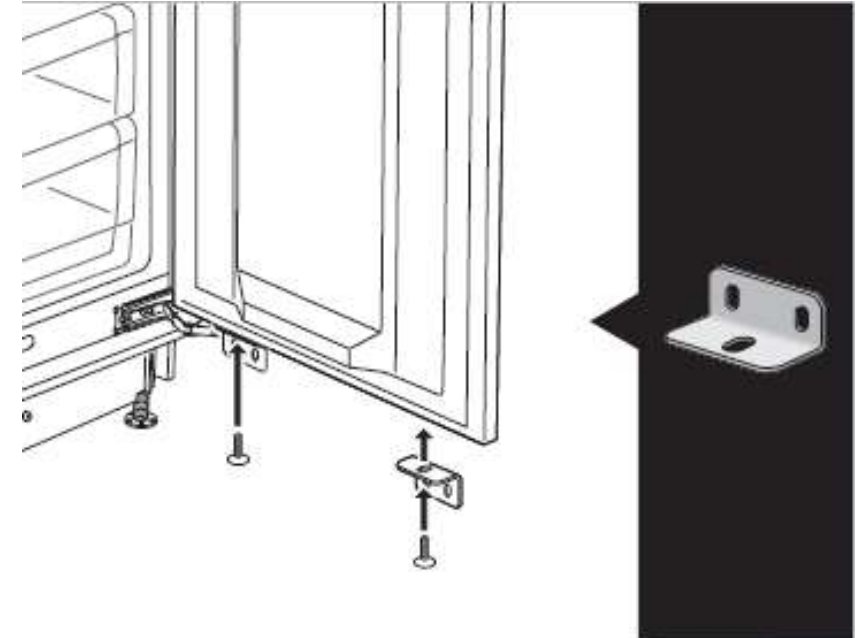
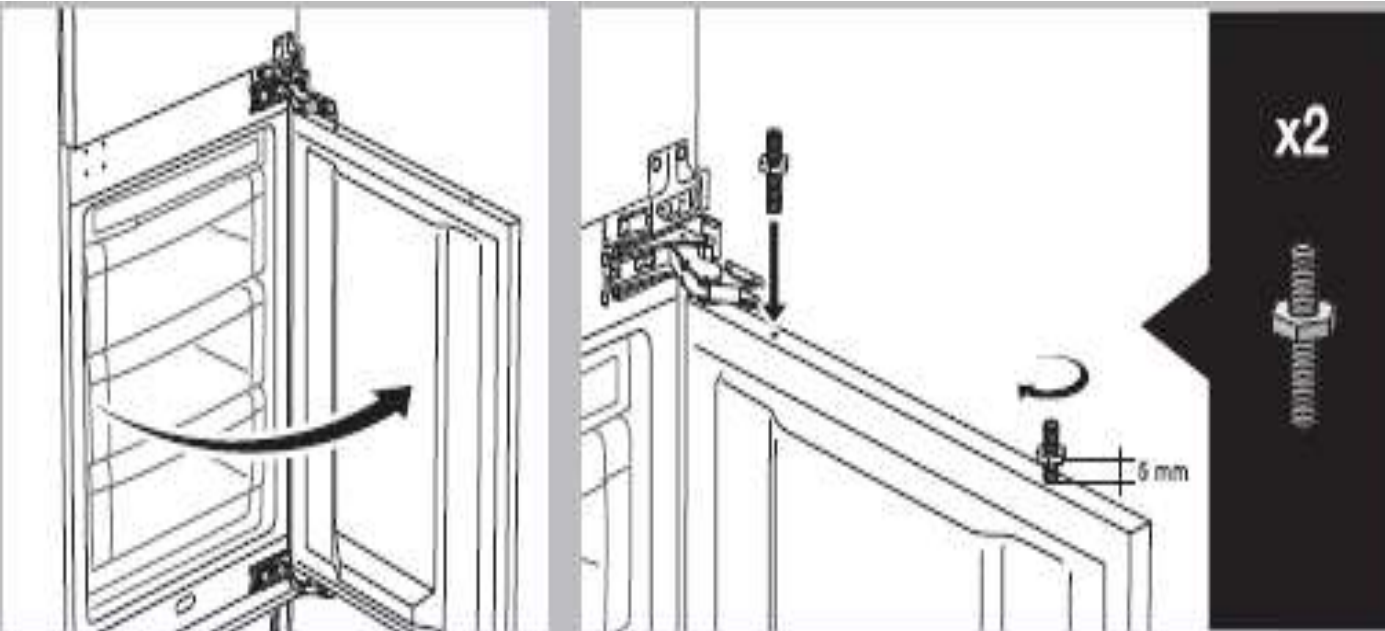


Handbook for the carpenter

Attach the panels - Combi BI60

Place the Adjustment screws and nuts

1. Place the adjustment screws at the top part of the fridge's doors. It is important to adjust the screws in order to leave 1/5" between the door and the regulation nut. (see the picture)
2. Place the attaching brackets at the bottom part of the fridge's doors.



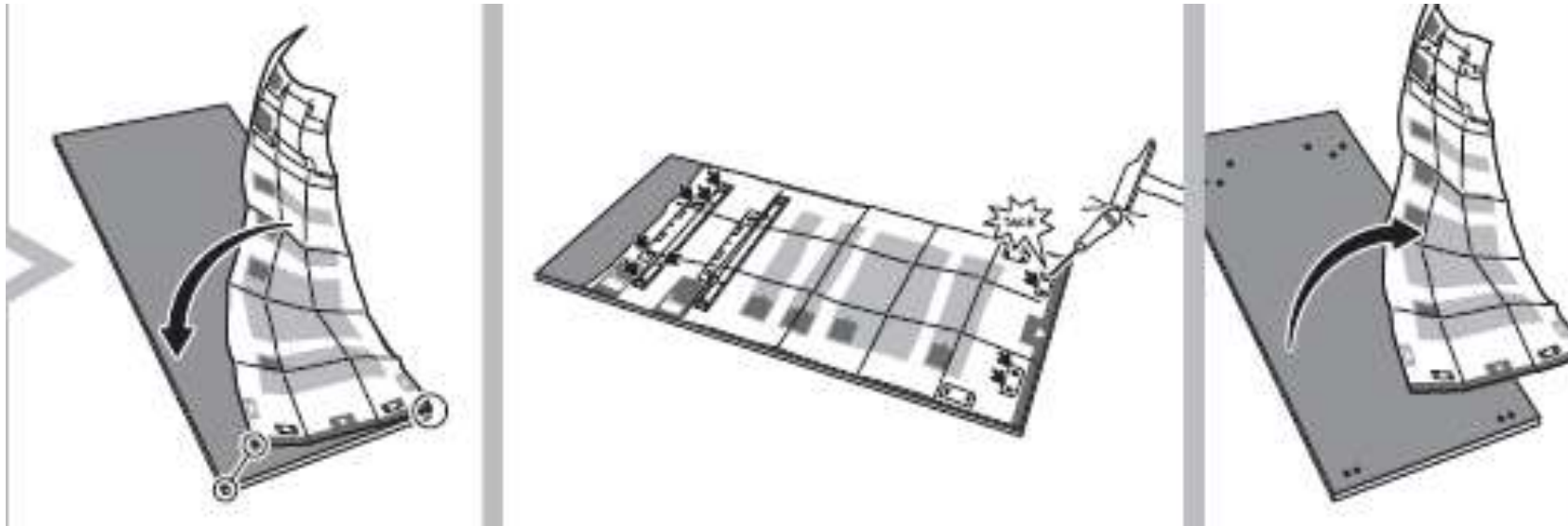
Handbook for the carpenter

Attach the panels - Combi BI60

Preparation of the furniture panels:

Place the template carefully at the back side of the door

1. **Bottom door:** Place the template taking as your reference the high part of the panel. (marks number 1)
2. **Upper door:** Place the template taking as your reference the low part of the panel. (marks number 2)



Handbook for the carpenter

Attach the panels - Combi BI60

Preparation of the furniture panels:

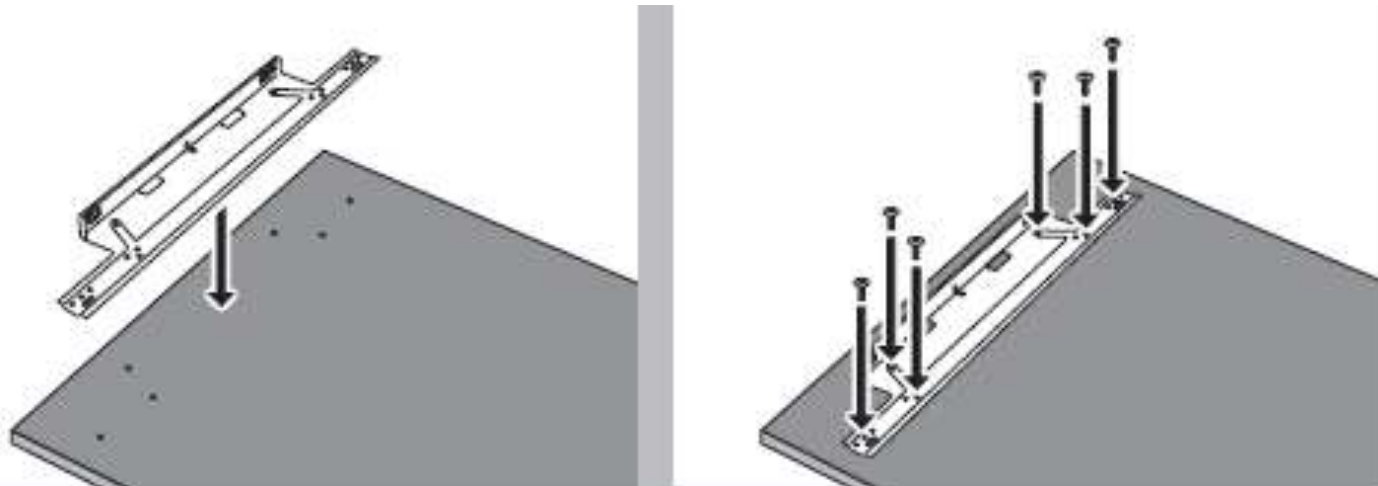
Attach the installation brackets and the furniture panels

Freezer

1. Place the installation bracket at the back side of the panel, use the marks made with the template to place it properly, and attach it with the bolts provided with the installation kit.

Fridge

1. Place the installation bracket at the back side of the panel, use the marks made with the template to place it properly, and attach it with the bolts provided with the installation kit.



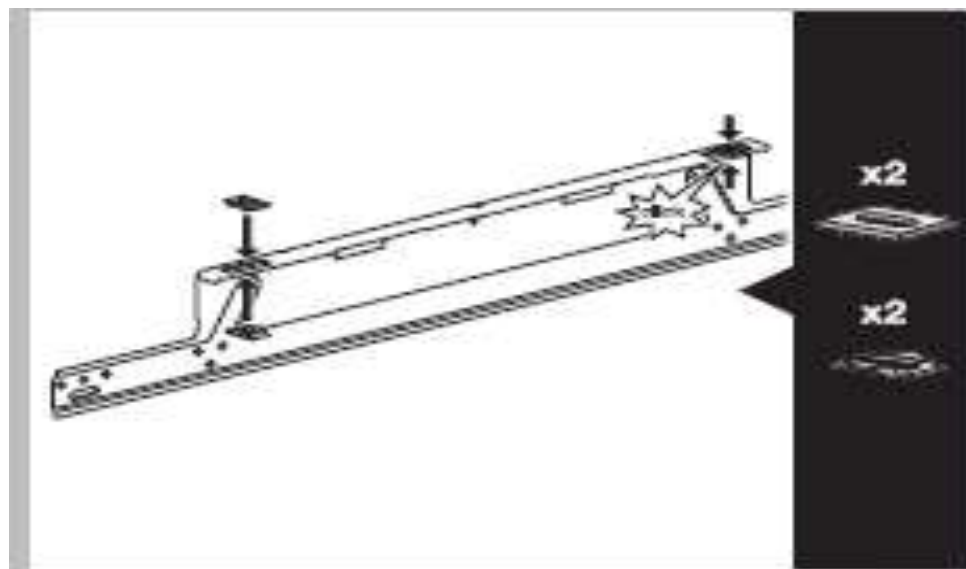
Handbook for the carpenter

Attach the panels - Combi BI60

Preparation of the furniture panels: Crossing sets.

Place the fittings carefully in the installation bracket.

IMPORTANT: Place the metallic and plastic pieces as are shown in the picture



Handbook for the carpenter

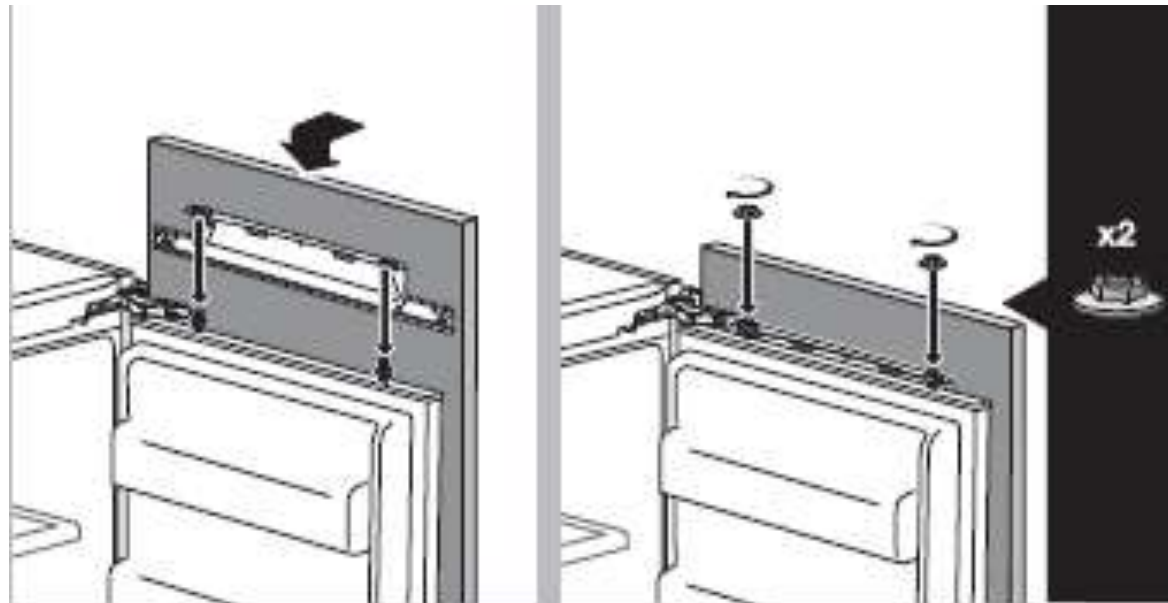
Attach the panels - Combi BI60

Panels installation procedure:

1. Step 1: Freezer
2. Step 2: Fridge

Place and adjust the panels:

1. Place the panel, introduce the adjustment screws in the crossing sets.
2. Introduce the adjustment nuts in the adjustment screws and block them.
3. Close the door and check the adjustment
4. Unblock the nuts and adjust the panel.



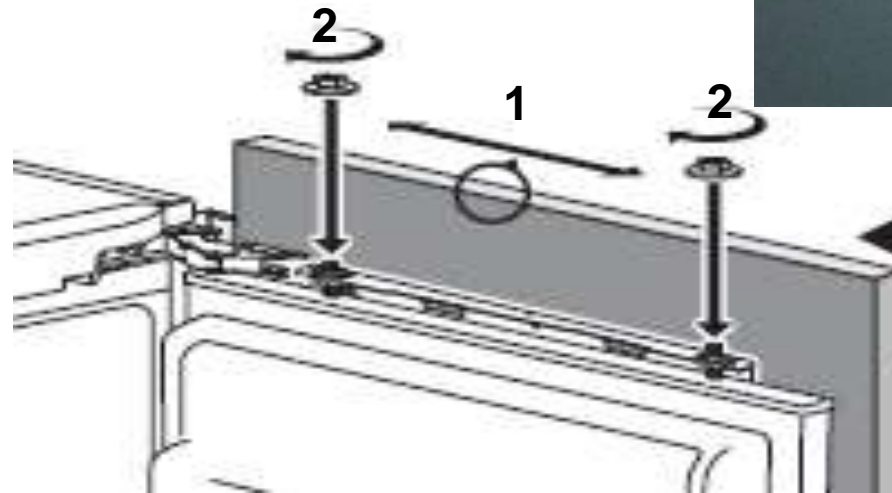
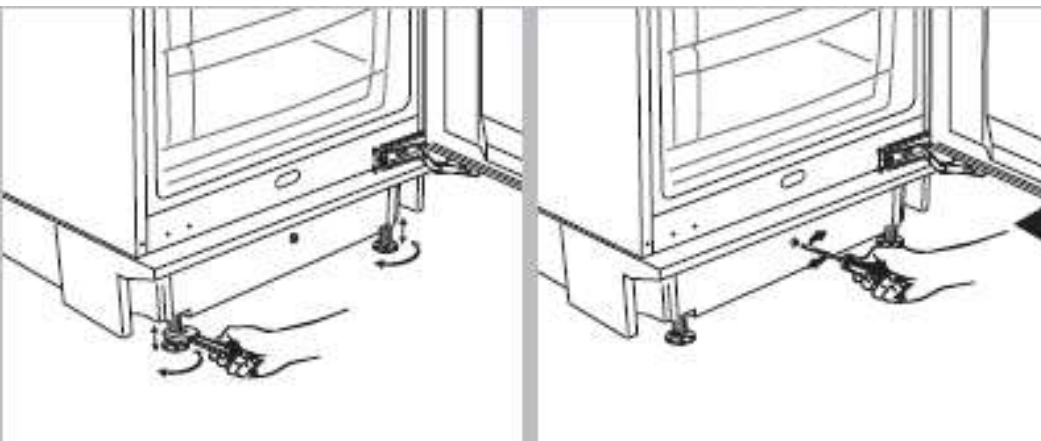
Handbook for the carpenter

Attach the panels - Combi BI60

Adjustment of the panels:

1. Align with door

1. Align the bottom of the door of the refrigerator with the wooden furniture with: adjustable feet with screws or brackets 2
2. Horizontal and vertical alignment of the door trim:
 1. Side marker 1
 2. Vertical marker 2

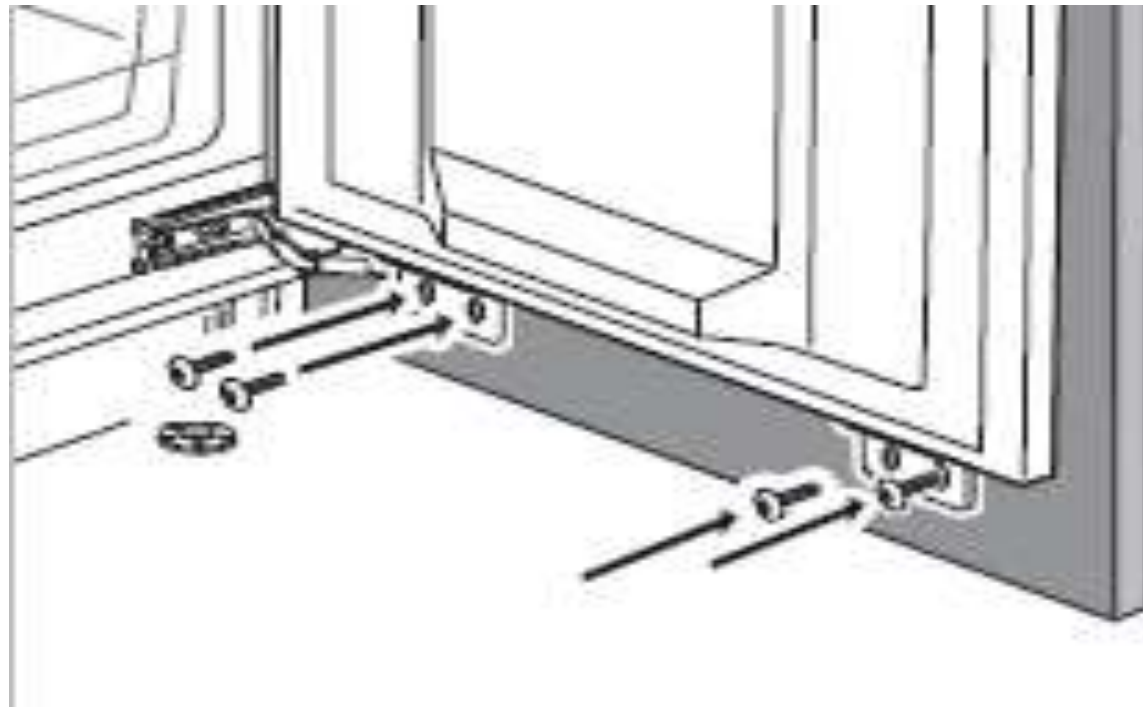


Handbook for the carpenter

Attach the panels - Combi BI60

Lock and final union of the refrigerator and the panels

Once the panels are properly adjusted, lock the panels with the Attaching brackets

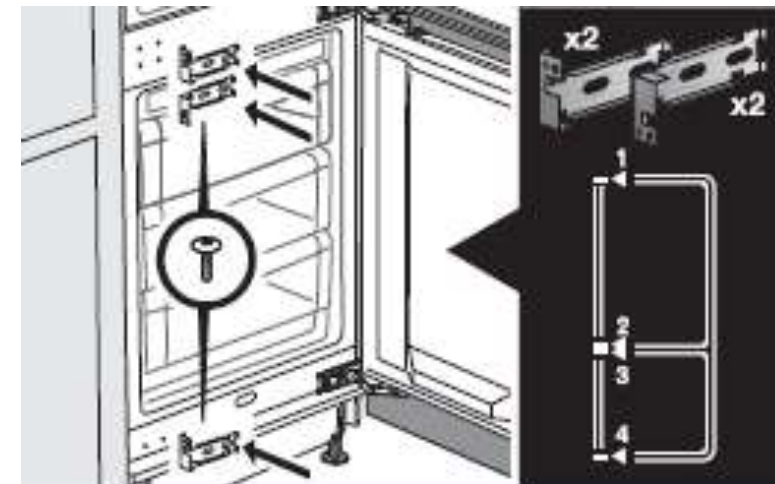
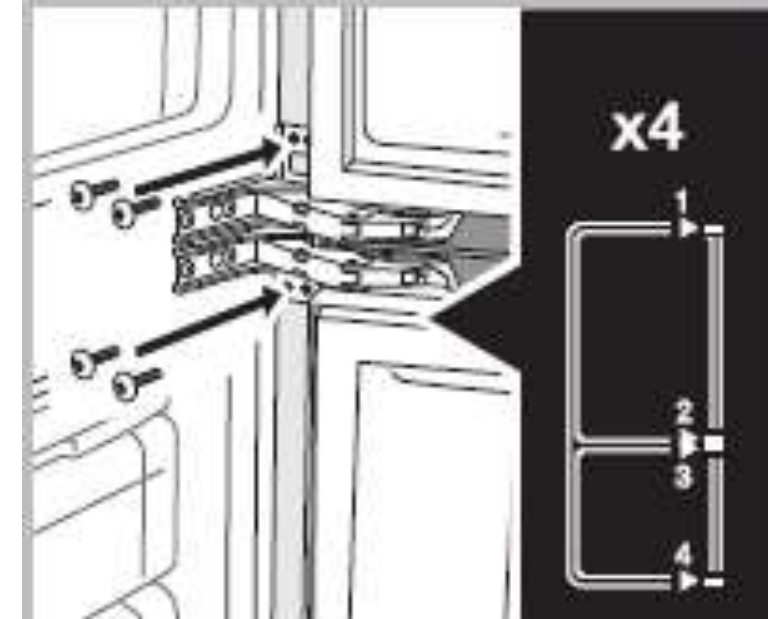


Handbook for the carpenter

Attach the panels - Combi BI60

Fridge – Appliance's attachment

1. Place the fridge in the final position
2. Attach the hinges to the sides.



Handbook for the carpenter

Attach the panels - Combi BI60

Final Attachment

1. Once the appliance is in the proper place assure it to the side panels and/or walls.

