



**CARE & INSTRUCTIONS MANUAL**  
**GUIDE D'UTILISATION ET D'ENTRETIEN**  
**MANUAL DE INSTRUCCIONES Y MANTENIMIENTO**  
**GAS COOKTOPS • PLAQUE DE CUISSION À GAZ • PLACA DE GAS**

*2MFA-2GLS X*



**NOTE:** *To avoid accident and damage, please read these instructions carefully before operating the appliance.*

**NOTE:** *Veillez lire ces instructions attentivement a fin d'éviter accidents et dommages.*

**NOTA:** *Por favor, lea este manual de instrucciones atentamente para evitar posibles daños o accidentes.*



# BUILT-IN GAS COOKTOP

- USERS OPERATING INSTRUCTIONS
- INSTALLATION ADVICE



IMPOR TANT - PLEASE READ AND FOLLOW

- √ Before beginning please read these instructions completely and carefully.
- √ Do not remove permanently affixed labels, warnings, or plates from the product. This may void the warranty.
- √ Please observe all local and national codes and ordinances.
- √ Please ensure that this product is properly grounded.
- √ **The installer should leave these instructions with the consumer who should retain for local inspector's use and for future reference.**
- √ The electrical plug should always be accessible

Installation must conform with local codes or in the absence of codes, the National Fuel Gas Code ANSIZ223.1 - latest edition Electrical installation must be in accordance with the National Electrical Code, ANSI/NFPA70 - latest edition and/or local codes. IN CANADA: Installation must be in accordance with the current CAN/CGA-B149~1 National Gas Installation Code or CANICGA-B149.2, Propane Installation Code and/or local codes. Electrical installation must be in accordance with the current CSA C22.1 Canadian Electrical Codes Parti and/or local codes.

Installation of any gas-fired equipment should be made by a licensed plumber. A manual gas shut-off valve must be installed in the gas supply me ahead of the appliance in the gas stream for safety and ease of service.

**WARNING: IF THE INFORMATION IN THIS MANUAL IS NOT FOLLOWED EXACTLY, A FIRE OR EXPLOSION MAY RESULT CAUSING PROPERTY DAMAGE, PERSONAL INJURY, OR DEATH.**

- √ Do not store or use gasoline or other flammable vapors and liquids in the vicinity of this or any other appliance.

#### WHAT TO DO IF YOU SMELL GAS:

- Do not try to light any appliance.
- Do not touch any electrical switch; do not use any phone in your building.
- Immediately call your gas supplier from a neighbor's phone. FoHow the gas supplier's instructions.
- If you cannot reach your gas supplier, call the fire department.

- √ Installation and service must be performed by a qualified installer, service agency, or the gas supplier.

*Dear Customer,*


*Thank you for having purchased and given your preference to our product.*

*The safety precautions and recommendations reported below are for your own safety and that of others. They will also provide a means by which to make full use of the features offered by your appliance. Please preserve this booklet carefully. It may be useful in future, either to yourself or to the others in the event that doubts should arise relating to its operation.*

***This appliance must be used only for the task it has explicitly been designed for, that is for cooking foodstuffs. Any other form of usage is to be considered as inappropriate and therefore dangerous. The manufacturer declines all responsibility in the event of damage caused by improper, incorrect or illogical use of the appliance.***

# USER INSTRUCTION

## IMPORTANT PRECAUTIONS AND RECOMMENDATIONS

- After having unpacked the appliance, check to ensure that it is not damaged. If you have any doubts, do not use it and consult your supplier or a professionally qualified technician.
- Packing elements (i.e. plastic bags, polystyrene foam, nails, packing straps, etc.) should not be left around within easy reach of children, as these may cause serious injuries.
- The packaging material is recyclable and is marked with the recycling symbol .
- Do not attempt to modify the technical characteristics of the appliance as this may become dangerous to use.
- The manufacturer cannot be considered responsible for damage caused by unreasonable, incorrect or rash use of the appliance.
- If you should decide not to use this appliance any longer (or decide to substitute an older model), before disposing of it, it is recommended that it be made inoperative in an appropriate manner in accordance to health and environmental protection regulations, ensuring in particular that all potentially hazardous parts be made harmless, especially in relation to children who could play with old appliances.
- The appliance should be installed and all the gas/electrical connections made by a qualified engineer in compliance with local regulations in force and following the manufacturer's instructions

## IMPORTANT PRECAUTIONS AND RECOMMENDATIONS FOR USE OF ELECTRICAL APPLIANCES

Use of any electrical appliance implies the necessity to follow a series of fundamental rules. In particular:

- Never touch the appliance with wet hands or feet;
- do not operate the appliance barefooted;
- do not allow children or disabled people to use the appliance without your supervision.

The manufacturer cannot be held responsible for any damages caused by improper; incorrect or unreasonable use of the appliance.

## TIPS FOR THE USER

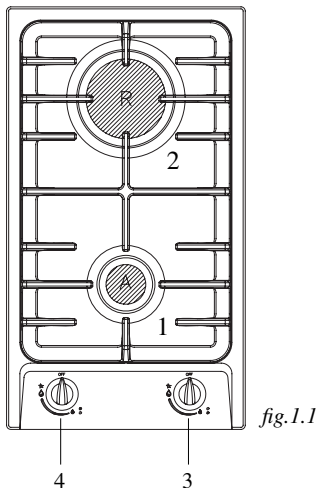
- During and after use of the cooktop, certain parts will become very hot. Do not touch hot parts.
- Keep children away from the cooking hob when it is in use.
- After use, ensure that the knobs are in position OFF, and close the main gas delivery valve or the gas cylinder valve.
- In case of difficulty in the gas valves operation, call Service.
- Before any cleaning or maintenance, switch off the electricity to the cooktop.

## Risk of fire!

- Do not leave inflammable material on the cooktop.
- Make sure that the electrical cables of other appliances installed nearby cannot come into contact with the cooktop.

# 1

# FEATURES



## COOKING POINTS

1. Auxiliary burner (A) - 3500 BTU/hr
2. Rapid burner (R) - 10500 BTU/hr

## CONTROL PANEL DESCRIPTION

3. Rapid burner (R) control knob (2) ●
4. Auxiliary burner (A) control knob (1) ○

### Note:

-The electric gas-lighting device is incorporated into the knobs.

### CAUTION:

If the burner is accidentally extinguished, turn the gas off at the control knob and wait at least 1 minute before attempting to relight.

### CAUTION:

Gas cooktops produce heat and humidity in the environment in which they are installed. Ensure that the cooking area is well ventilated following national local codes.

# USING THE GAS COOKTOP


2


## GAS BURNERS

Gas flow to the burners is adjusted by turning the knobs (illustrated in fig. 2.1) which control the valves.

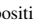
Turning the knob so that the indicator line points to the symbols printed on the panel achieves the following functions:

**OFF** = closed valve

 = maximum rate

 = minimum rate

The maximum aperture position permits rapid boiling of liquids, whereas the minimum aperture position allows simmer warming of food or maintaining boiling conditions of liquids.


To reduce the gas flow to minimum, rotate the knob further anti-clockwise to point the indicator towards the  position.

Other intermediate operating adjustments can be achieved by positioning the indicator between the maximum and minimum aperture positions and never between the maximum aperture and OFF positions.

N.B. When the cooktop is not being used, set the gas knobs to their OFF positions and also close the gas shut-off valve placed on the main gas supply line.


## LIGHTING GAS BURNERS

In order to light the burner, you must:

1 - turn the knob in an anti-clockwise direction up to the  position (maximum rate), push in and hold the knob until the flame has been lit (fig. 2.2).

There is no need to press the ignition button for models fitted with the re-ignition feature.

The sparks produced by the lighter situated inside the relative burner will light the flame.

In the event that the local gas supply conditions makes it difficult to light the burner in HI position, try again with the knob in  position.

If there is no mains electrical supply bring a lighted match close to the burner.

2 - Adjust the gas valve to the desired position.

To re-light the burner, return the knob to the OFF position and repeat the operations for lighting.

## CHOICE OF BURNER (fig. 2.3)

The symbols printed on the panel beside the gas knobs indicate the correspondence between the knob and the burner.

The most suitable burner is to be chosen according to the diameter and volume capacity of the container to be warmed.

It is important that the diameter of the pots or pans suitably match the heating potential of the burners in order not to jeopardise the efficiency of the burners, bringing about a waste of gas fuel.

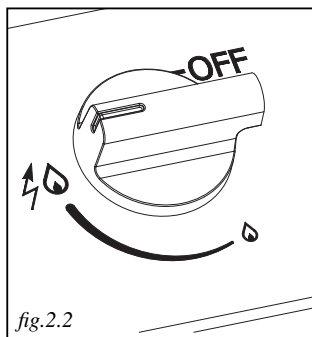
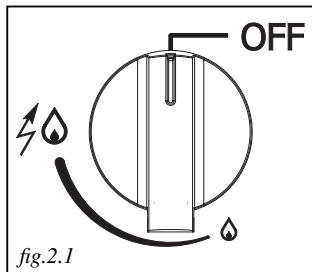
A small diameter pot or pan placed on a large burner does not necessarily mean that boiling conditions are reached quicker.

This instruction is based on safety considerations.

Caution!

The cooktop becomes very hot during operation.

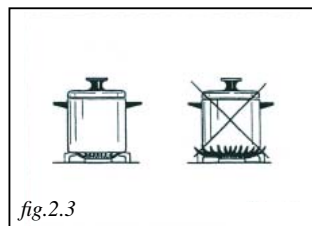
Keep children well out of reach.



DIAMETERS OF PANS WHICH MAY BE  
USED ON THE COOKTOP

BURNER	MINIMUM	MAX.
Auxiliary	12cm	14cm
Semirapid	16cm	24cm
Triple-ring	26 cm	28 cm

do not use pans with concave or convex bases



# 3 CLEANING AND MAINTENANCE

Do not use steam jet cleaners because the humidity could infiltrate into the appliance making it dangerous.

## GENERAL RECOMANDATION

- ✓ Before you begin cleaning you must ensure that the hob is switched off. It is advisable to clean when the appliance is cold.
- ✓ All enamelled surfaces have to be washed with soapy water or some other non-abrasive product with a sponge and are to be dried preferably with a soft cloth.
- ✓ Avoid leaving alkaline or acid substances (lemon juice, vinegar etc.) on the surfaces.

## ENAMELLED PARTS

- ✓ All the enamelled parts must be cleaned with a sponge and soapy water only or other non-abrasive products.
  - ✓ Dry preferably with a chamois leather
- If acid substances such as lemon juice, tomato conserve, vinegar etc. are left on the enamel for a long time they will etch it, making it opaque.

## STAINLESS STEEL ELEMENTS

- ✓ Stainless steel parts must be rinsed with water and dried with a soft and clean cloth or with a chamois leather.
- ✓ For difficult dirt, use a specific non-abrasive product available commercially or a little hot vinegar.
- ✓ Note: regular use could cause discolouring around the burners, because of the high flame temperature.

## CONTROL KNOBS

- ✓ The control knobs may be removed for cleaning but care should be taken not to damage/remove the seal fitted below the knobs.

## BURNERS AND GRIDS

- ✓ These parts can be removed and cleaned with appropriate products. After cleaning, the burners and their flame distributors must be well dried and correctly replaced.
- ✓ It is very important to check that the burner flame distributor and the cap has been correctly positioned - failure to do so can cause serious problems.
- ✓ In appliances with electric ignition keep the electrode clean so that the sparks always strike.
- ✓ **Note: To avoid damage to the electric ignition do not use it when the burners are not in place.**

## GAS VALVES

- ✓ In the event of operating faults in the gas valves call the Service Department.



### CORRECT REPLACEMENT OF THE BURNERS

it is very important to check that the burner flame spreader "F" and the cap "C" have been correctly positioned (see figs. 3.1 and 3.2). Failure to do so can cause serious problems.

In appliances with electric ignition check that the electrode "S" (fig. 3.1) is always clean to ensure trouble-free sparking.

The ignition plug must be very carefully cleaned.

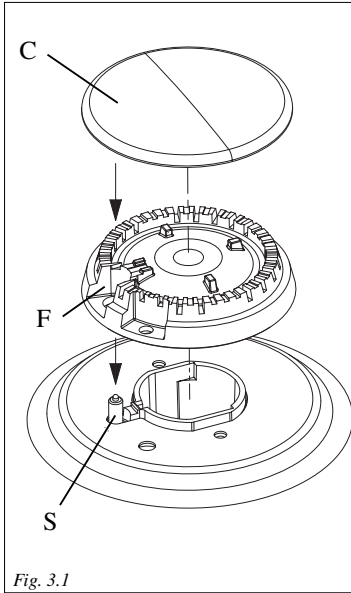


Fig. 3.1

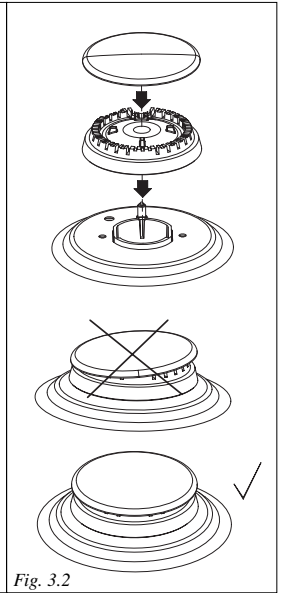










Fig. 3.2

# INSTALLATION INSTRUCTIONS

## WARNING!

THIS APPLIANCE HAS TO BE INSTALLED BY A QUALIFIED INSTALLER.

Improper installation, adjustment, alteration, services, or maintenance can cause injury or property damage. Consult a qualified installer, service agent, or the gas supplier.

			
Screwdriver	Wrench	T-handle wrench	Tape measure
			
Angle hexagon key	Pencil	Adjustable pliers	Adjustable wrench

## GENERAL INFORMATION

1. Installation must conform with local codes or, in the absence of local codes, with the National Fuel Gas Code, ANSI Z223.1 -Latest Edition.

2. Installation in manufactured (mobile) home: installation must conform with the Manufactured Home Construction and Safety Standard, Title 24 CFR, Part 3280 [formerly the Federal Standard for Mobile Home Construction and Safety, Title 24, HUD (Part 280)] or; when such standard is not applicable, the Standard for Manufactured Home Installations, ANSI/NCSBCS A225.1, or with local codes where applicable.

3. Installation in Recreational Park Trailers: installation must conform with state or other codes or, in the absence of such codes, with the Standard for Recreational Park Trailers, ANSI A119.5.

4. **WARNING:** This appliance shall not be used for space heating. This information is based on safety considerations.

5. All openings in the wall behind the appliance and in the floor under the appliance shall be sealed.

6. Keep appliance area clear and free from combustible materials, gasoline, and other flammable vapors.

7. Do not obstruct the flow of combustion and ventilation air.

8. Disconnect the electrical supply to the appliance before servicing.

9. When removing appliance for cleaning and/or service;

- A. Shut off gas at main supply.
- B. Disconnect AC power supply.
- C. Disconnect gas line to the inlet pipe.
- D. Carefully lift appliance out of cabinet cutout.

**CAUTION:** Use care in handling.

### 10. Electrical Requirement

Electrical installation should comply with national and local codes.

### 11. Air Supply and Ventilation

The installer must refer to local/national codes.

### 12. Gas Manifold Pressure

Natural gas - 5" W.C.P.

LP/Propane - 10" W.C.P.

## WARNING!!

### ELECTRICAL GROUNDING INSTRUCTIONS

**The cooktop must be electrically grounded in accordance with local codes or, in the absence of local codes, with the National Electrical Code, ANSI/NFPA No. 70-latest edition. Installation should be made by a licensed electrician.**

This appliance is equipped with a three-prong grounding plug for your protection against shock hazard and should be plugged directly into a properly grounded socket. Do not cut or remove the grounding prong from the plug.

For personal safety, this appliance must be properly grounded.

Do not under any circumstances cut or remove the third (ground) prong from the power plug.

## REPLACEMENT PARTS

Only authorized replacement parts may be used in performing service on the cooktop. Replacement parts are available from factory authorized parts distributors. Contact the nearest parts distributor in your area.

# 4

# INSTALLATION TO THE CABINET

## COOKTOP DIMENSIONS

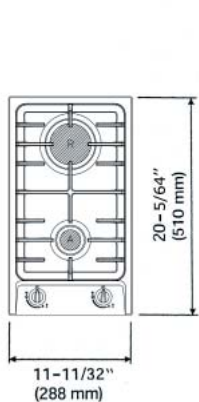


Fig. 4.1

## BOX DIMENSIONS

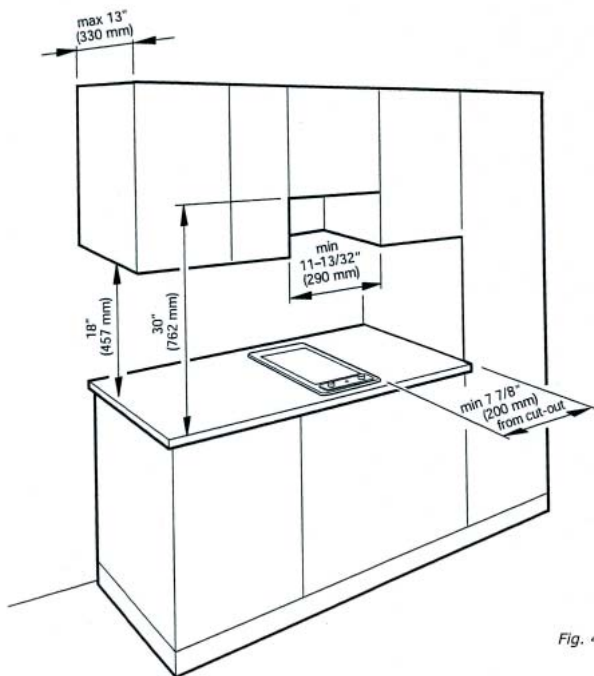
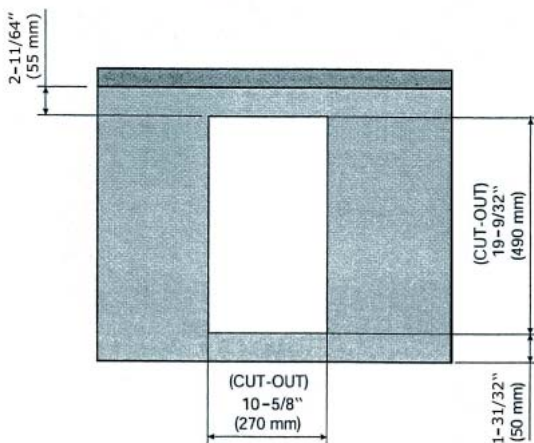


Fig. 4.2

## PROXIMITY TO SIDE CABINETS

Important: Base cabinet construction must allow for size of cooktop cut-out.

Gas line opening:

Wall - anywhere  $11'' \frac{51}{64}$  (300 mm) below underside of countertop;

Cabinet floor - anywhere  $3'' \frac{1}{8}$  (79.2 mm) from the rear wall.

Grounded outlet: the electric cord with 3-prong ground plug has a length of 48'' (122 mm). Grounded outlet should be located within 36'' (914.4 mm) of right rear corner of cut-out.

2. The cooktop CANNOT be installed directly adjacent to sidewalls, tall cabinets, tall appliances or other side vertical surfaces. There must be a minimum of  $7'' \frac{7}{8}$  (200 mm) side clearance from the cooktop cut-out to such combustible surface to both side above the counter height.

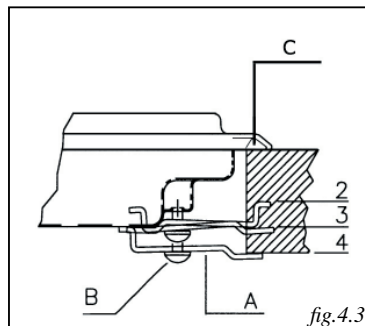
3. The maximum upper cabinet depth recommended is 13 (330 mm). Wall cabinet above the cooktop must be a minimum of 30'' (762 mm) above the countertop for a width of minimum  $11'' \frac{13}{32}$  (290 mm); it has to be centred with the cooktop. Side wall cabinets above the cooktop must be a minimum of 18'' (457 mm) above the countertop.

## FASTENING THE COOKTOP (fig. 4-3)

Each cooktop is supplied with a set of tabs and screws to fasten it on units with a working surface from 2 to 4 cm deep.

The kit includes 4 tabs "A" and 4 self-threading screws "B".

- Cut the unit.
- Stretch gasket "C" over the edge of the hole made, being careful to overlay the junction edges.
- Put the cooktop into the hole cut into the unit and position it correctly.
- Put tabs "A" into place and tighten screws "B" until the cooktop is completely secured.



## WARNING



### Explosion Hazard

Use a new CSA or UL approved gas supply line.

Install a shut-off valve.

Securely tighten all gas connections.

If connected to LP, have a qualified person make sure gas pressure does not exceed 14" water column.

Examples of a qualified person include licensed heating personnel, authorized gas company personnel, and authorized service personnel

Failure to do so can result in death, explosion, or fire

All gas connections must be made according to national and local codes. This gas supply (service) line must be the same size or greater than the inlet line of the appliance. Sealant on all pipe joints must be resistant to the action of LP/Propane gas.

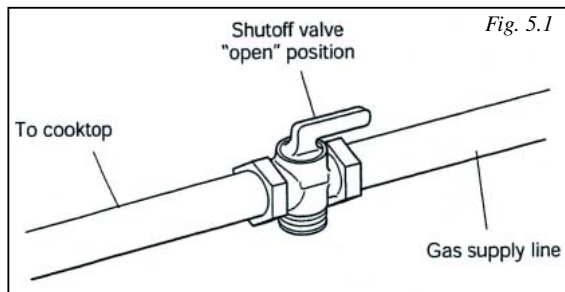
The cooktop is equipped for the use with NATURAL gas it is design-certified by CSA International for NATURAL and L.P. gases with appropriate conversion.

The model/serial rating plate, located on the underside of the burner box, has information on the type of gas that can be used. If this information does not agree with the type of gas available, check with the local gas supplier. See page 15 for L.P. gas conversion instructions.

### 1. Manual Shut-off Valve (fg: 5.1):

The supply line shall be equipped with an approved shutoff valve. This valve should be located in the same room as the cooktop and should be in a location that allows ease of opening and closing (in a position where it can be reached quickly in the event of an emergency).

Do not block access to the shutoff valve. The valve is for turning on or shutting off gas to the appliance.



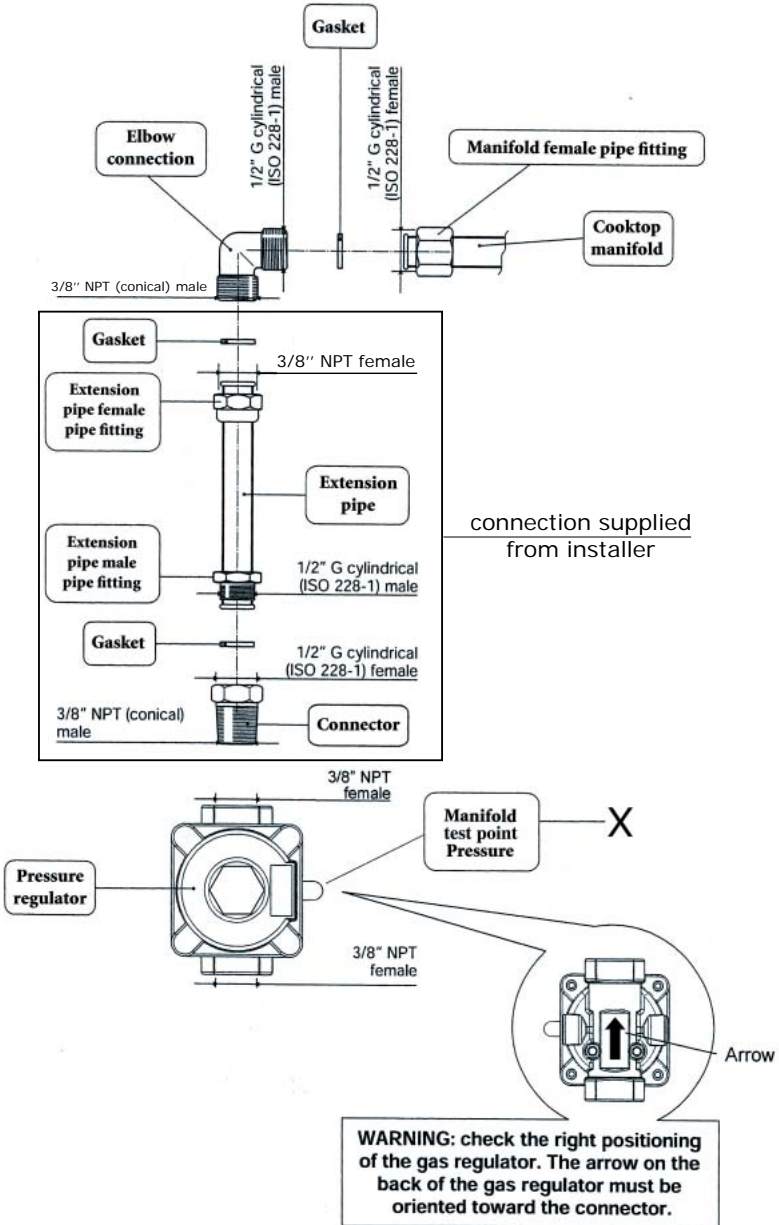
### 2. Pressure Regulator (figures 5.2)

a) AI heavy duty, commercial type cooking equipment must have a pressure regulator on the incoming service line for safe and efficient operation since service pressure may fluctuate with local demand. The regulator supplied with this cooktop must be installed before any gas connections are made.

Use supplied pressure regulator only.

Pressure regulator must be installed where will be accessible for adjustment with the cooktop installed.

# GAS CONNECTION SPECIFICATION



b) Any conversion required must be performed by your dealer or a qualified licensed plumber or gas service company. Please provide the service person with this manual before work is started on the cooktop. (Gas conversions are the responsibility of the dealer or end user.)

c) This cooktop can be used with NATURAL or LP/PROPANE gas. It is shipped from the factory adjusted for use with NATURAL gas.

d) Manifold pressure should be checked with a manometer; NATURAL gas requires 5,0" W.C.P. and LP/PROPANE requires 10,0" W.C.P. (see Figure 5.2-X)

Incoming line pressure upstream from the regular must be 1" W.C.P. higher than the manifold pressure in order to check the regulator.

The regular used on this cooktop can withstand a maximum input pressure of 1/2 PSI (14.0" W.C.P). If the line pressure is in excess of that amount, a step-down regulator will be required.

e) The appliance its individual shut-off valve, and pressure regulator must be disconnected from the gas supply piping system during any pressure testing of that system at pressures in excess of 1/2 PS (3.5 kPa).

f) The appliance must be isolated from the gas supply piping system by closing its individual manual shutoff valve during any pressure testing of the gas supply piping system at test pressure equal to or less than 1/2 PSI (3.5 kPa).

### **3. Flexible Connections:**

If local codes permit, CSA design-certified, flexible metal appliance connector is recommended for connecting this cooktop to the gas supply line. Do Not kink or damage the flexible connector when moving the cooktop. The pressure regulator has 3/8" NPT female pipe threads. You will need to determine the fittings required, depending on the size of your gas supply line, flexible metal connector and shutoff valve.

### **4. Rigid Pipe Connections:**

If rigid pipe is used as a gas supply line, a combination of pipe fittings must be used to obtain an in-line connection to the cooktop. All strains must be removed from the supply and fuel lines so cooktop will be level and in line.

- Use joint compounds and gaskets that are resistant to action of natural or propane gas on all male pipe threads.
- Do not over tighten gas fitting when attaching to pressure regulator. Over tightening may crack regulator.

### **5. Leak Testing:**

**IMPORTANT:** Leak testing of the appliance shall be conducted as follows;

• After final gas connection is made. turn on manual gas valve and test all connectors in gas supply piping and appliance for gas leaks with a soapy water solution. During this test all appliance gas valves have to be closed.

• In order to avoid property damage or serious personal injury, never use a lighted match. If a leak is present tighten joint or unscrew apply more joint compound. tighten again and retest connection for leak.

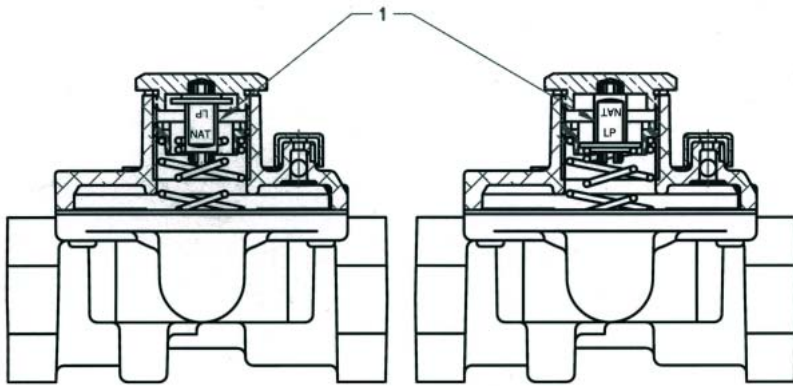


## CONVERSION TO LP/PROPANE GAS

Every cooktop is provided with a set of injectors for the various types of gas. Select the injectors to be replaced according to the table below. The nozzle diameters, expressed in hundredths of a millimetre, are marked on the body of each injectors.

### SETTING THE PRESSURE REGULATOR (Fig. 5.3)

Attention: the regulator is pre adjusted for both values. Aside from the turning of the plug (1), there is no further customer adjustment necessary



Pressure regulator series RV ...C  
natural / town gas adjustment  
(low outlet pressure)

Pressure regulator series RV ...C  
LPG adjustment (high outlet  
pressure)

Fig. 5.3

## OPERATIONS TO BE PERFORMED WHEN SUBSTITUTING THE INJECTORS

- Remove the gratings, the burner covers and the knobs;
- Using a wrench substitute the nozzle injectors “J” (fig: 5.4) with those most suitable for the kind of gas for which it is to be used.

The burner are conceived in such a way so as not to require the regulation of the primary air.

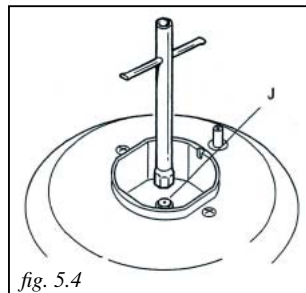


fig. 5.4

## INJECTORS TABLE

BURNERS	NOMINAL POWER	REDUCED POWER	LP/PROPANE 10" W.C.P.		NATURAL GAS 5" W.C.P.	
	BTU/hr	BTU/hr	Ø injector (1/100 mm)	By-pass (1/100 mm)	Ø injector (1/100 mm)	By-pass (1/100 mm)
Auxiliary (A)	3500	800	56	34	82	adjustable
Rapid (R)	10500	1700	98	43	150	adjustable

Save the orifices removed from the appliance for the future use

## REGULATING THE BURNER MINIMUM SETTING

When switching from one type of gas to another, the minimum flow rate must also be correct: the flame should not go out even when passing suddenly from maximum to minimum flame. To regulate the 'flame follow the instructions below:

- Light the burner
- Set the gas valve to minimum

On gas valves provided with adjustment screw in the centre of the shaft (fig. 5.5) Using a screwdriver with max. diameter 3 mm, turn the screw inside the tap until the correct setting is obtained.

For LP/PROPANE gas, tighten the adjustment screw completely.

After regulation repeat the operations indicated in paragraph "2. Pressure regulator" at page 12.

If the cooktop has been disconnected and then connected again to the gas supply line repeat the operations indicated in paragraph "5. Leak Testing" at page 14.

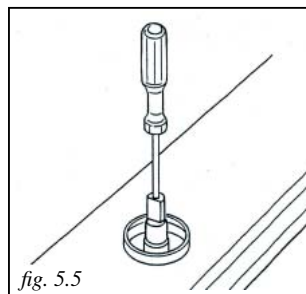


fig. 5.5

## ⚠ WARNING



### Electrical Shock Hazard

Plug into a grounded 3-prong outlet.

Do not remove ground prong.

Do not use an adapter.

Failure to follow these instructions can result in death, fire, or electrical shock.

If codes permit and a separate ground wire is used, it is recommended that a qualified electrician determine that the ground path IS adequate. Check with a qualified electrician if you are not sure whether the cooktop is properly grounded. Do Not ground to a gas pipe.

A 120-volt, 60-Hz, AC-only, 15-ampere, fused electrical supply is required. A time-delay fuse or circuit breaker is recommended. It is recommended that a separate circuit serving only this appliance be provided.

The outlet must be checked by a qualified electrician to see if it is wired with correct polarity

This appliance when installed, must be electrically grounded in accordance with local codes.

## Recommended ground method

For your personal safety this cooktop must be grounded. This cooktop is equipped with a 3-prong ground plug. To minimize possible shock hazard, the cord must be plugged into a mating 3-prong ground-type outlet, grounded in accordance with the National Electrical Code ANSI/NFPA 70 latest edition or Canadian Electrical Code (CSA) and local codes and ordinances. If a mating outlet is not available it is the personal responsibility and obligation of the customer to have a properly polarized and grounded 3-prong outlet installed by a qualified electrician.

## WARNING VERY IMPORTANT

Before any operation of maintenance disconnect the appliance from the electrical mains supply.

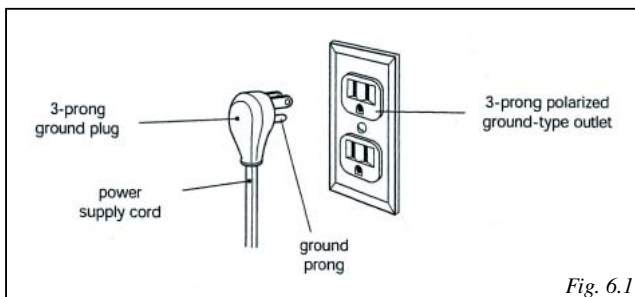
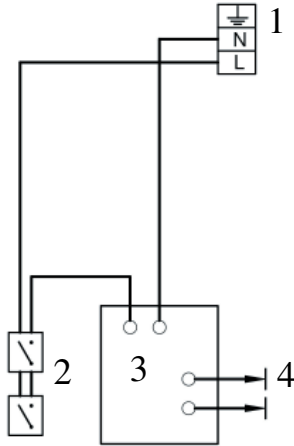


Fig. 6.1

# WIRING DIAGRAM IGNITION AS

fig. 6.2



- 1 - Terminal block
- 2 - Ignition switches group
- 3 - Ignition generation
- 4 - Igniter
- 5 - Ignition and reigniter generation
- 6 - Ignition swithes

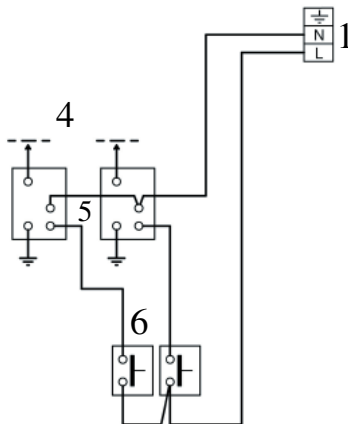


fig. 6.3

# TABLE DE CUISSON À GAZ ENCASTRÉE

- MANUEL DE L'UTILISATEUR
- CONSEILS POUR L'INSTALLATION



## DIRECTIVES IMPORTANTES – À LIRE ET RESPECTER SCRUPULEUSEMENT

- ✓ Avant de commencer l'installation, lisez attentivement ces instructions de bout en bout.
- ✓ N'enlevez pas les étiquettes, plaques ou avertissements fixés de manière permanente sur le produit. Ce faisant, vous pourriez invalider la garantie.
- ✓ Vous devez respecter toutes les ordonnances et règlements locaux.
- ✓ Assurez-vous que le produit est correctement relié à la terre.
- ✓ **L'installateur doit laisser cette notice au consommateur, pour référence future et pour qu'il puisse la mettre à disposition de l'inspecteur local.**
- ✓ La prise électrique doit toujours rester accessible.

L'installation doit être conforme à la réglementation locale ou, en l'absence, à la dernière édition du National Fuel Gas Code, ANSIZ223.1. L'installation électrique doit être conforme à la dernière édition de la norme ANSI/NFPA70, National Electrical Code et/ou à la réglementation locale. AU CANADA : l'installation doit être conforme à la norme CAN/CGA-B149-1, Code d'installation du gaz naturel, ou CANICGA-B149.2, Code d'installation du Propane, et/ou à la réglementation locale. L'installation électrique doit être conforme à la dernière édition du Code canadien de l'électricité CSA C22.1, et/ou à la réglementation locale.

Les installations d'appareil à gaz doivent toujours être effectuées par des plombiers certifiés. Pour garantir la sécurité et le confort d'utilisation de l'appareil, la canalisation d'arrivée du gaz doit être munie d'un robinet de fermeture manuelle en amont de l'appareil.

**AVERTISSEMENT : LE NON-RESPECT DES DIRECTIVES CONTENUES DANS CE MANUEL EXPOSE À DES RISQUES D'INCENDIE OU D'EXPLOSION POUVANT ENTRAÎNER DES DOMMAGES AUX BIENS, DES BLESSURES ET DES DÉCÈS.**

✓ Ne pas entreposer ou utiliser de l'essence ou d'autres liquides ou gaz inflammables à proximité de cet appareil ou de tout autre appareil électrique.

### QUE FAIRE, SI VOUS SENTEZ UNE ODEUR DE GAZ :

- N'allumez aucun appareil électrique.
  - Ne touchez à aucun interrupteur électrique ; n'utilisez aucun des téléphones du bâtiment.
  - Appelez immédiatement votre fournisseur de gaz à partir du téléphone d'un voisin. Suivez les directives de votre fournisseur de gaz.
  - Si vous ne pouvez pas joindre votre fournisseur de gaz, appelez les pompiers.
- ✓ L'installation et l'entretien des appareils à gaz doivent être effectués par un installateur ou réparateur qualifié ou par le fournisseur de gaz.


*Cher Client,*

*Merci de nous avoir accordé votre préférence et d'avoir acheté notre produit. Les précautions et recommandations indiquées ci-dessous visent à garantir votre sécurité et celle des autres. Elles vous permettront aussi de profiter pleinement de toutes les caractéristiques de votre appareil. Conservez soigneusement cette brochure. Elle pourra s'avérer utile dans futur, pour vous-même ou pour d'autres, en cas de doute concernant le fonctionnement de l'appareil.*

***Cet appareil ne doit être employé que pour l'usage pour lequel il a été conçu, c'est-à-dire pour cuisiner des aliments. Toute autre forme d'utilisation doit être considérée comme impropre et par conséquent dangereuse. Le fabricant décline toute responsabilité pour d'éventuels dommages résultant d'un usage impropre, incorrect ou illogique de l'appareil.***

# MODE D'EMPLOI

## PRÉCAUTIONS ET RECOMMANDATIONS IMPORTANTES

- Après le déballage, vérifiez l'appareil pour vous assurer qu'il n'est pas endommagé. Si vous avez des doutes, ne l'utilisez pas sans avoir consulté votre fournisseur ou un technicien qualifié.
- Ne laissez pas les matériaux d'emballage (comme les sacs plastiques, la mousse de polystyrène, les clous, les lanières, etc.) à la portée des enfants, ils pourraient être la source de graves blessures.
- Les matériaux d'emballage sont recyclables et marqués du symbole du recyclage .
- Ne cherchez pas à modifier les caractéristiques techniques de l'appareil, vous pourriez le rendre dangereux.
- Le fabricant ne peut être tenu responsable pour aucun dommage causé par un usage impropre, incorrect ou imprudent de l'appareil.
- Si vous décidez de cesser d'utiliser cet appareil (ou si vous remplacez un modèle plus ancien), il est recommandé que vous le mettiez hors-service de manière appropriée dans le respect des normes de protection de la santé et de l'environnement, en vous assurant notamment que tous les éléments potentiellement dangereux sont rendus inoffensifs, particulièrement vis-à-vis d'enfants pouvant jouer avec les vieux appareils.
- L'installation de l'appareil et tous les raccordements au gaz et à l'électricité devront être effectués par un professionnel qualifié dans le respect de la législation locale et des directives du fabricant.

## PRÉCAUTIONS ET RECOMMANDATIONS IMPORTANTES POUR L'UTILISATION DES APPAREILS ÉLECTRIQUES

Des règles de sécurité fondamentales doivent être respectées lors de l'emploi de tout appareil électrique. En particulier :

- Ne touchez jamais l'appareil lorsque vous avez les mains ou les pieds mouillés ;
- N'utilisez pas l'appareil pieds nus ;
- Ne laissez pas les enfants ou les handicapés se servir de l'appareil sans surveillance.

Le fabricant ne pourra être tenu responsable d'aucun dommage résultant d'une utilisation impropre, incorrecte ou déraisonnable de l'appareil.

## CONSEILS D'UTILISATION

- Durant et après l'utilisation de la table de cuisson, certaines parties de l'appareil deviennent particulièrement chaudes. Faites attention à ne pas toucher les parties chaudes.
- Ne laissez pas les enfants s'approcher de la table de cuisson lorsqu'elle est en cours d'utilisation.
- Après utilisation, assurez-vous que tous les boutons sont en position OFF et que l'arrivée du gaz ou la bouteille sont fermés.
- En cas de problème de fonctionnement du robinet d'arrivée du gaz, appelez le service d'assistance.
- Avant le nettoyage ou l'entretien, coupez l'alimentation électrique de la table de cuisson.

## Risques d'incendie !

- Ne laissez pas de matières inflammables sur la table de cuisson.
- Assurez-vous que les câbles électriques des appareils installés à proximité n'entrent pas en contact avec la table de cuisson.

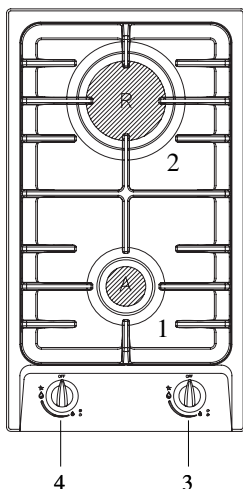


Fig. 1.1

**POINTS DE CUISSON**

1. Brûleur auxiliaire (A) – 3500 BTU/hr
2. Brûleur rapide (R) – 10500 BTU/hr

**DESCRIPTION DU PANNEAU DE COMMANDE**

3. Bouton de réglage (2) brûleur rapide (R) ○●
4. Bouton de réglage (1) brûleur auxiliaire (A) ○●

*Note :*

*-Le dispositif allume-gaz est incorporé dans les boutons de l'appareil.*

**ATTENTION :**

Si le brûleur s'éteint accidentellement, mettez le bouton en position "OFF" et attendez au moins une minute avant de rallumer le brûleur.

**ATTENTION :**

Les tables de cuisson relâchent de la chaleur et de l'humidité dans l'environnement où elles sont utilisées. Assurez-vous que la zone de cuisson est correctement ventilée conformément à la réglementation locale.




# UTILISATION DE LA TABLE DE CUISSON 2


## BRÛLEURS

La quantité de gaz arrivant aux brûleurs se règle à l'aide des boutons de réglage (illustrés à la fig. 2.1) qui contrôlent les valves.


En tournant les boutons de manière à les pointer vers les symboles imprimés sur le panneau, on obtient les fonctions suivantes :

**OFF** = valve fermée

 = débit maximal

 = débit minimal

L'ouverture maximale permet de faire rapidement bouillir les liquides, alors que le réglage minimal permet de mijoter ou réchauffer les plats ou de maintenir les liquides au point d'ébullition.

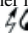
Pour réduire le débit du gaz, tournez le bouton dans le sens contraire des aiguilles d'une montre pour qu'il pointe vers .

Les débits intermédiaires peuvent être obtenus en plaçant le pointeur entre la position maximale et la position minimale, mais jamais entre la position maximale et la position "OFF".

N.B. Lorsque la table de cuisson n'est pas utilisée, placez les boutons en position OFF et fermez le robinet d'arrêt du gaz installé sur la canalisation d'alimentation.


## ALLUMAGE DES BRÛLEURS

Pour allumer les brûleurs, vous devez :

1 - tourner le bouton dans le sens contraire des aiguilles d'une montre jusqu'à la position  (débit maximal) puis enfoncer le bouton et le tenir enfoncé jusqu'à l'allumage de la flamme (fig. 2.2).

Sur les modèles équipés d'un dispositif d'allumage automatique, il n'est pas nécessaire d'enfoncer le bouton pour allumer le brûleur.

Les étincelles produites par l'allume-gaz situé à l'intérieur du brûleur allumeront la flamme.

Si les conditions locales d'alimentation en gaz rendent l'allumage difficile au débit maximal, essayez à nouveau en plaçant le bouton en position .

Si l'appareil n'est pas raccordé à l'électricité, utilisez une allumette pour allumer le brûleur.

2 - Réglez la flamme à la puissance désirée.

Pour rallumer le brûleur, remettez le bouton en position OFF et répétez la séquence d'allumage.

## CHOIX DU BRÛLEUR (fig. 2.3)

Les symboles imprimés à proximité des boutons désignent le brûleur auquel le bouton correspond.

Choisir le brûleur le mieux adapté en fonction du diamètre et de la contenance de l'ustensile utilisé.

Il est important que le diamètre des casseroles corresponde aux capacités thermiques du brûleur, de manière à ne pas compromettre les performances de l'appareil et à éviter le gaspillage d'énergie.

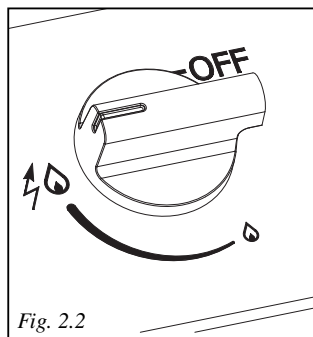
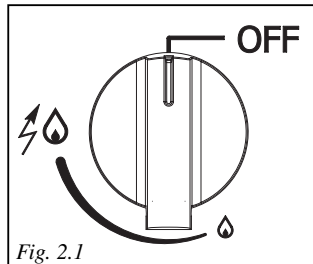
Une casserole de petit diamètre placée sur un brûleur de grande taille ne permet pas d'atteindre plus rapidement le point d'ébullition.

Cette directive est motivée par des raisons de sécurité.

Attention !

La table de cuisson devient très chaude pendant le fonctionnement.

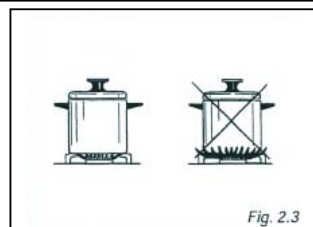
Ne laissez pas les enfants s'en approcher.



DIAMÈTRES DE CASSEROLES  
POUVANT ÊTRE UTILISÉES SUR LA  
PLAQUE DE CUISSON

BRÛLEURS	MIN	MAX.
Auxiliaire	12cm	14cm
Semi-rapide	16cm	24cm
Triple cercle	26 cm	28 cm

N'utilisez pas de casseroles à fond concave ou convexe



Ne pas utiliser de nettoyeur à jet de vapeur car l'humidité pourrait s'infiltrer dans l'appareil et le rendre dangereux.

### RECOMMANDATION GÉNÉRALES

- ✓ Avant de commencer le nettoyage, assurez-vous que la table de cuisson est éteinte. Il est recommandé de ne nettoyer l'appareil que lorsqu'il est froid.
- ✓ Les surfaces émaillées doivent être nettoyées avec une éponge et de l'eau savonneuse, ou autre produit non abrasif, puis essuyées, préférablement avec un chiffon doux.
- ✓ Évitez de laisser des substances alcalines ou acides (jus de citron, vinaigre etc.) sur les surfaces de la table de cuisson.

### PARTIES ÉMAILLÉES

- ✓ Les parties émaillées ne doivent être nettoyées qu'avec de l'eau savonneuse ou un autre produit non abrasif.
  - ✓ Séchez-les préférablement avec une peau de chamois.
- Si des substances acides comme du jus de citron, de la tomate ou du vinaigre etc. restent en contact avec l'émail pendant trop longtemps, elles l'attaqueront et le rendront opaque.

### ÉLÉMENTS EN ACIER INOXYDABLE

- ✓ Les parties en acier inoxydable doivent être rincées à l'eau claire puis séchées avec un chiffon doux ou une peau de chamois.
- ✓ Pour la saleté difficile, utilisez un produit spécifique non abrasif du commerce ou une petite quantité de vinaigre chaud.
- ✓ Note : une utilisation fréquente peut entraîner des décolorations, dues à la température élevée des flammes, à proximité des brûleurs.

### BOUTONS DE RÉGLAGE

- ✓ Les boutons de réglage peuvent être démontés pour le nettoyage, mais il faut faire attention à ne pas endommager/enlever le joint placé en dessous du bouton.

### BRÛLEURS ET GRILLES

- ✓ Ces éléments peuvent être enlevés et nettoyés avec des produits appropriés. Après le nettoyage, les brûleurs et leur diffuseur de flammes doivent être correctement séchés et remis en place.
- ✓ Il est très important de s'assurer que le diffuseur de flammes et la plaque sont correctement positionnés – un mauvais positionnement peut être la source de graves problèmes.
- ✓ Sur les appareils équipés d'un allumage électrique, l'électrode doit rester propre, pour garantir une bonne formation des étincelles.
- ✓ **Note : Pour éviter d'endommager les allume-gaz électriques, ne pas les faire fonctionner lorsque les brûleurs ne sont pas en place.**

### ROBINET D'ARRIVÉE DU GAZ

- ✓ En cas de mauvais fonctionnement du robinet d'arrivée du gaz, appelez le service de maintenance.

## REPLACEMENT DES BRÛLEURS

Il est très important de vérifier que le diffuseur de flammes "F" et la plaque "C" ont été correctement positionnés (voir figs. 3.1 et 3.2). Un mauvais positionnement peut être la source de graves problèmes.

Sur les appareils équipés d'un allumage électrique, pour que les étincelles puissent se former facilement, l'électrode "S" (fig. 3.1) doit toujours être parfaitement propre.

Le plot de l'allume-gaz doit être soigneusement nettoyé

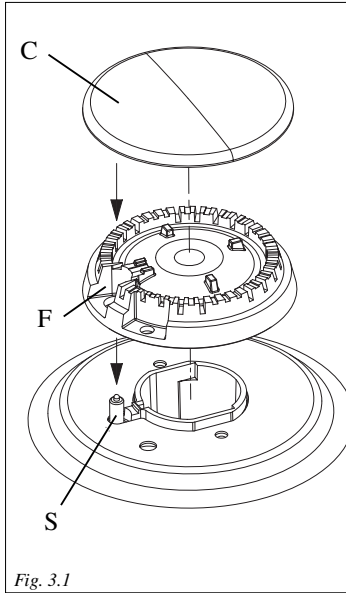


Fig. 3.1

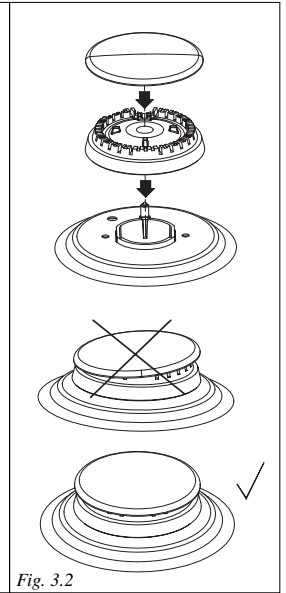










Fig. 3.2

# DIRECTIVES D'INSTALLATION

## AVERTISSEMENT :

CET APPAREIL DOIT ÊTRE INSTALLÉ PAR UN INSTALLATEUR QUALIFIÉ.

Une installation, un mauvais réglage, une modification incorrecte ou une intervention d'entretien ou de maintenance défectueuse peuvent entraîner des blessures ou des dégâts. Consultez un installateur ou réparateur qualifié ou votre fournisseur de gaz.

			
Tournevis	Clé plate	Clé en T	Mètre
			
Clé à pipe	Crayon	Pince	Clé à molette

## INFORMATIONS GÉNÉRALES

1.L'installation doit être conforme à la réglementation locale ou, en l'absence, à la dernière édition du National Fuel Gas Code, ANSIZ223.1.

2.Installation dans une maison préfabriquée (mobile) : L'installation doit être conforme aux normes du "Manufactured Home Construction and Safety Standards", titre 24 CFR, Section 3280 (anciennement "Federal Standard for Mobile Home Construction and Safety Standards", titre 24 HUD, Section 280) ou, si ces normes ne sont pas applicables, au Standard for Manufactured Home Installations, ANSI/NCSBCS A225.1, ou à la réglementation locale.

3.Installation dans des caravanes de parc de loisirs : L'installation doit être conforme aux normes locales ou autre réglementation applicable ou, en l'absence, à la norme Standard for Recreational Park Trailers, ANSI A119.5.

4.**AVERTISSEMENT** : Pour des raisons de sécurité, cet appareil ne doit pas être utilisé comme appareil de chauffage.

5.Toutes les ouvertures dans la paroi à l'arrière de l'appareil et dans le plancher en dessous de l'appareil doivent être étanchéifiées.

6.Ne laissez pas de matériaux combustibles, essence ou autres produits inflammables dans la zone de la table de cuisson.

7.N'obstruez pas le flux des vapeurs de combustion et de la ventilation.

8.Débrancher l'appareil de l'alimentation électrique avant toute intervention d'entretien.

9.Pour démonter l'appareil pour le nettoyage ou l'entretien:

- A. Fermez le robinet d'arrivée du gaz.
- B. Débranchez l'alimentation électrique.
- C. Débranchez le tuyau d'alimentation en gaz de l'appareil.
- D. Extrayez soigneusement l'appareil de son logement.

**ATTENTION** : Procédez avec prudence.

### 10.Exigences pour l'installation électrique

L'installation électrique doit être conforme aux normes nationales ou locales.

### 11.Arrivée d'air et ventilation

L'installateur doit se conformer aux normes nationales ou locales.

### 12.Pression collecteur gaz

Gaz naturel - 5" de colonne d'eau

LP/Propane - 10" de colonne d'eau

## AVERTISSEMENT !!

### DIRECTIVES DE MISE À LA TERRE

**La table de cuisson doit être mise à la terre conformément à la réglementation locale ou, en l'absence, conformément aux normes de la dernière édition du National Electrical Code, ANSI/NFPA N° 70 L'installation doit être effectuée par un électricien certifié.**

Pour vous protéger des risques d'électrocution, cet appareil est équipé d'une prise à trois broches munie d'une broche de mise à la terre qui doit être branchée directement dans une prise murale reliée à la terre. Ne pas couper ou enlever la broche de mise à la terre de la prise.

Pour garantir la sécurité des personnes, cet appareil doit être correctement relié à la terre.

Ne jamais couper ou enlever la troisième broche (terre) d'une prise de terre à trois broches.

## PIÈCES DÉTACHÉES

Toutes les pièces de rechange utilisées pour l'entretien de l'appareil doivent être agréées par le fabricant. Les pièces de rechange agréées sont disponibles auprès des fournisseurs de pièces détachées autorisés. Contactez le fournisseur de pièces autorisé de votre secteur.

# 4 ENCASTREMENT DANS LE MEUBLE DE CUISINE

DIMENSIONS DE LA TABLE DE CUISSON

DIMENSION DÉCOUPE

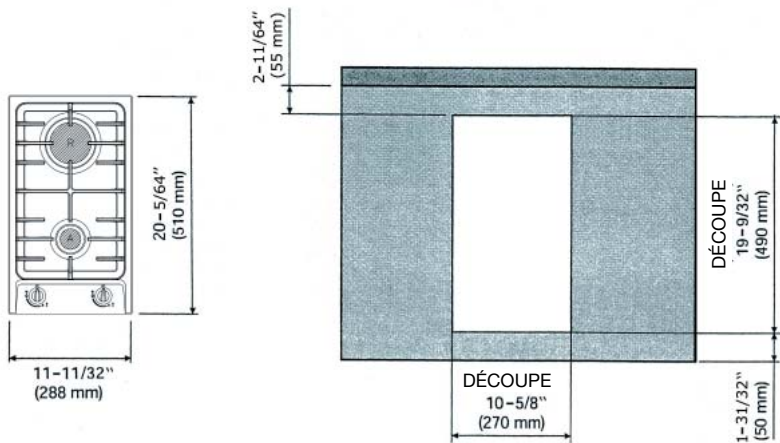


Fig. 4.1

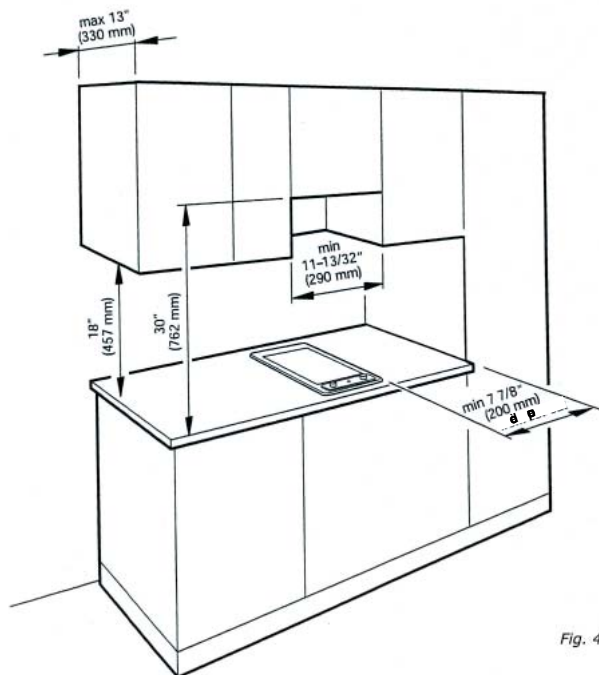


Fig. 4.2

## PROXIMITÉ DES MEUBLES

Important : Le meuble dans lequel la table de cuisson doit être encastrée doit être dimensionné adéquatement.

Passage de l'arrivée du gaz :

Au mur – emplacement au choix, 11" 51/64 (300 mm) en dessous du niveau de la table ;

Fond du meuble – emplacement au choix, 3" 1/8 (79.2 mm) du mur arrière.

Branchement électrique relié à la terre : le cordon électrique équipé d'une prise à 3 broches mesure 48" (122 mm). La prise murale doit se trouver à une distance maximale de 36" (914.4 mm) du coin arrière droit de la découpe.

2. Les tables de cuisson ne DOIVENT PAS être installées en contact direct avec un mur latéral, un meuble ou un appareil ménager haut ou toute autre surface verticale. La découpe doit prévoir un dégagement latéral d'au moins 7" 7/8 (200 mm) entre la découpe et toute surface combustible des deux côtés dépassant au-dessus du plan d'encastrement.

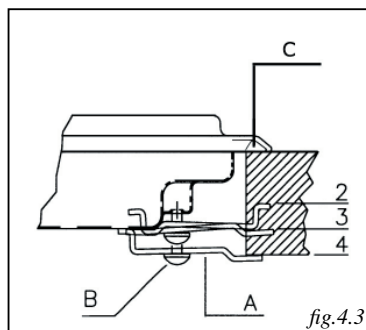
3. La profondeur maximale recommandée pour le meuble supérieur est de 13" (330 mm). Le placard au-dessus de la table de cuisson doit être au moins 30" (762 mm) au-dessus de la table de cuisson sur une largeur d'au moins 11" 13/32 (290 mm) ; il doit être centré au-dessus de la table de cuisson. Les placards situés sur les côtés du meuble au-dessus de la table de cuisson doivent être au moins 18" (457 mm) au-dessus du plan de travail.

## FIXATION DE LA TABLE DE CUISSON (fig. 4-3)

La table de cuisson est livrée avec une série de griffes et de vis permettant de la fixer dans un plan de travail de 2 à 4 cm d'épaisseur.

Le paquet contient 4 griffes "A" et 4 vis auto-perceuses "B".

- Découper le plan de travail
- Étendre le joint d'étanchéité "C" sur tout le pourtour de la découpe en prenant soin de bien chevaucher les extrémités.
- Mettre la table de cuisson en place dans la découpe et ajuster le positionnement.
- Mettre en place les griffes "A" et serrer les vis "B" pour fixer fermement la table de cuisson.



## ⚠ AVERTISSEMENT



### Risque d'explosion

Pour l'alimentation en gaz, utiliser un tuyau neuf conforme aux normes en vigueur.

Installer un robinet d'arrêt.

Serrez fermement tous les raccords du gaz.

En cas de raccordement au GPL, faites contrôler par une personne qualifiée que la pression du gaz ne dépasse pas les 14" de colonne d'eau.

Par personne qualifiée on entend, par exemple, un chauffagiste ou réparateur certifié ou un préposé autorisé du fournisseur de gaz.

Le non-respect de ces directives vous expose à un risque de décès, d'explosion ou d'incendie.

Tous les raccordements au gaz doivent être conformes aux normes nationales ou locales. La canalisation d'alimentation en gaz doit être d'un diamètre égal ou supérieur à celui de la canalisation d'arrivée du gaz à l'appareil. Les joints d'étanchéité des raccordements doivent être résistants au GPL/Propane.

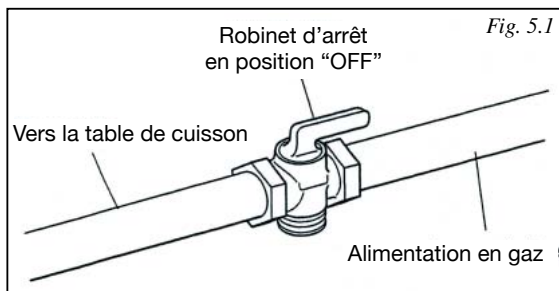
La table de cuisson est conçue pour être utilisée avec du gaz NATUREL de type est certifié CSA International et, après adaptation, avec les gaz GPL.

La plaque d'identification modèle/série située sur le fond de l'appareil indique le type de gaz pouvant être utilisé. Si le type de gaz indiqué sur la plaque ne correspond pas au gaz disponible, vérifiez avec votre fournisseur de gaz. Voir page 15 pour les directives de conversion pour le GPL.

### 1. Robinet d'arrêt manuel (fig. 5.1) :

La canalisation d'alimentation doit être équipée d'un robinet d'arrêt conforme à la réglementation. Ce robinet doit se trouver dans la même pièce que la table de cuisson et doit être dans une position permettant de l'ouvrir et de le fermer commodément (facilement accessible en cas d'urgence).

Ne jamais bloquer l'accès au robinet d'arrêt. Ce robinet sert à ouvrir et fermer l'arrivée du gaz à l'appareil.



### 2. Détendeur (figures 5.2)

a) Pour garantir la sécurité et l'efficacité du fonctionnement, la canalisation d'alimentation des appareils utilisés pour cuisiner à un niveau commercial doit être équipée d'un détendeur, car la pression est susceptible de varier en fonction de la demande. Le détendeur fourni avec la table de cuisson doit être installé avant d'effectuer le raccordement au gaz.

N'utiliser que le détendeur fourni.

Le détendeur doit être installé dans un endroit suffisamment accessible pour qu'il puisse être réglé après l'installation de la plaque de cuisson.



# RACCORDEMENT AU GAZ

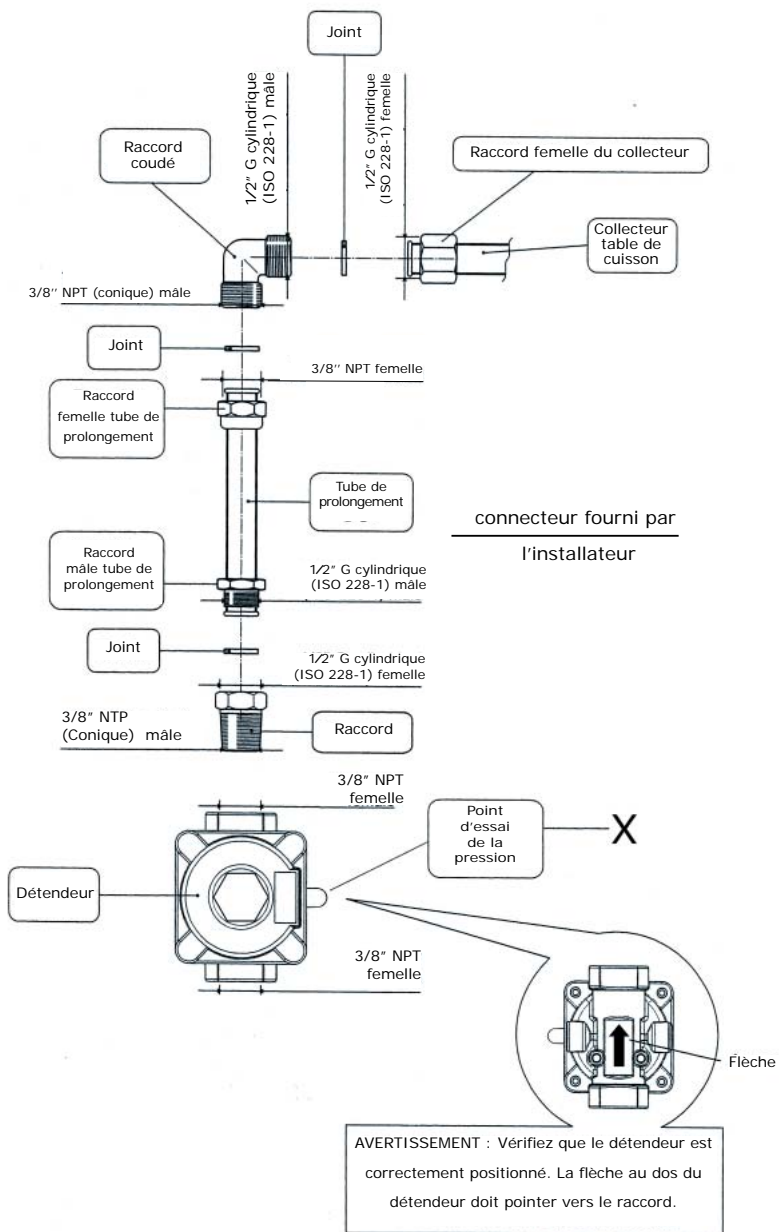


fig.5.2

b) Si une conversion est nécessaire, celle-ci doit être effectuée par votre revendeur ou un plombier ou réparateur certifié. Veuillez fournir le présent manuel au technicien avant qu'il ne commence à intervenir sur la table de cuisson. (Les conversions sont placées sous la responsabilité du revendeur ou de l'utilisateur final.)

c) Cette table de cuisson peut être utilisée avec du gaz NATUREL ou du GPL/PROPANE. Elle est livrée réglée pour le fonctionnement avec du gaz NATUREL.

d) La pression au collecteur doit être vérifiée à l'aide d'un manomètre ; pour le gaz NATUREL, elle doit être de 5.0" de colonne d'eau, et pour le GLP/PROPANE, de 10.0" de colonne d'eau (voir figure 5.2-X)

Pour pouvoir contrôler le détendeur, la pression de la canalisation d'alimentation en amont du collecteur doit être 1" de colonne d'eau supérieure à celle du détendeur.

Le détendeur utilisé sur cette table de cuisson peut supporter une pression d'alimentation de 1/2 PSI (14.0" de colonne d'eau). Si la pression d'alimentation est supérieure à cette valeur, un régulateur d'abaissement de la pression devra être installé.

e) L'appareil, son robinet d'arrêt et son détendeur doivent être déconnectés de la canalisation d'alimentation pour tous les essais sous pression du système à des pressions supérieures à 1/2 PS (3.5 kPa).

f) L'appareil doit être isolé de la canalisation d'approvisionnement en gaz, en fermant le robinet d'arrêt, lors des essais sous pression des canalisations d'alimentation à des pressions inférieures ou égales à 1/2 PSI (3.5 kPa).

### **3. Raccordement par canalisation flexible :**

Si la réglementation locale le permet, il est conseillé de raccorder l'appareil à la canalisation d'alimentation en gaz au moyen d'un tuyau métallique flexible certifié CSA. Prendre soin de ne pas emmêler ou endommager le tuyau flexible en déplaçant la table de cuisson. Le détendeur est muni d'un connecteur femelle 3/8" NPT. Vous devrez déterminer le type de raccords nécessaires en fonction du diamètre de la canalisation d'alimentation, du connecteur de tuyau flexible et du robinet d'arrêt.

### **4. Raccordement par canalisation rigide :**

En cas de raccordement au moyen d'une canalisation rigide, vous devrez vous procurer les raccords nécessaires pour le branchement à la table de cuisson. Toutes les tensions de la canalisation d'alimentation et de raccordement doivent être éliminées de manière à ce que la table de cuisson soit parfaitement alignée et de niveau.

- Utilisez des pâtes et des joints résistant au gaz naturel ou au propane sur tous les filetages mâles de l'installation.
- Ne serrez pas exagérément les raccords de branchement du détendeur. Un serrage excessif pourrait endommager le détendeur.

### **5. Recherche de fuites :**

**IMPORTANT :** La recherche de fuite doit être effectuée de la manière suivante :

- À l'issue de l'installation, ouvrez le robinet d'arrêt et vérifiez à l'aide d'eau savonneuse qu'il n'y a pas de fuites au niveau des raccords et des branchements à la canalisation d'alimentation et à l'appareil. Tous les brûleurs doivent être fermés durant les essais.

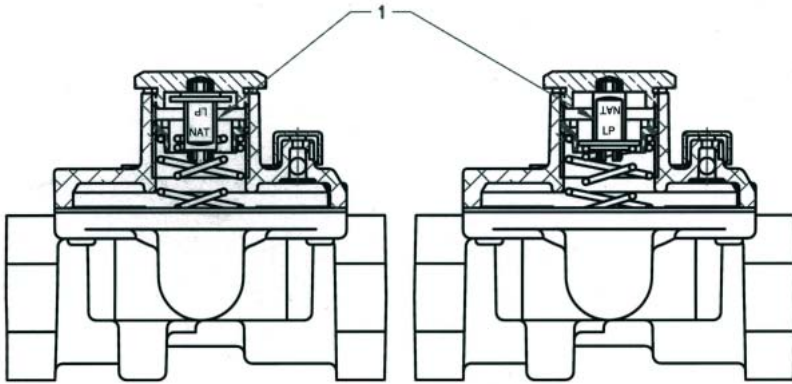
- Pour éviter tout risque de blessures et de dégâts, n'utilisez jamais de flamme pour effectuer ces vérifications. Si vous décelez une fuite, serrez le raccord ou démontez-le et ajoutez de la pâte à joints, remontez ensuite le raccord et contrôlez-le à nouveau.

## CONVERSION AU GLP/PROPANE

Les tables de cuisson sont livrées avec une série d'injecteurs pour différents types de gaz. Sélectionnez les injecteurs à remplacer en fonction de la table ci-dessous. Le diamètre des buses, exprimés dans centièmes de millimètre, est indiqué sur le corps de chaque injecteur.

### Réglage du détendeur (Fig. 5.3)

Attention : le détendeur est préréglé pour les deux valeurs. Aucun réglage n'est nécessaire de la part de l'utilisateur en dehors de la rotation du bouton (1)



Détendeur série RV... C  
Réglage gaz naturel /de ville  
(sortie basse pression)

Détendeur série RV... C  
Réglage GPL  
(sortie haute pression)

Fig. 5.3

## INSTRUCTIONS POUR LE REMPLACEMENT DES INJECTEURS

- Enlevez les grilles, La plaque du brûleur et les boutons ;
- À l'aide d'une clé, remplacez les buses des injecteurs "J" (fig. 5.4) par le modèle le plus adapté pour le type de gaz à utiliser.

**Les brûleurs sont conçus de manière à ce qu'aucun réglage de l'air primaire ne soit nécessaire.**

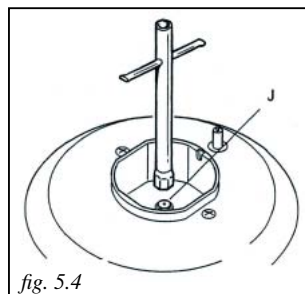


fig. 5.4

## TABLE DES INJECTEURS

BRÛLEURS	PUISSANCE NOMINALE	PUISSANCE RÉDUITE	GPL/PROPANE 10" colonne d'eau		GAZ NATUREL 5" colonne d'eau	
	BTU/hr	BTU/hr	Ø Injecteur (1/100 mm)	Dérivation (1/100 mm)	Ø Injecteur (1/100 mm)	Dérivation (1/100 mm)
Auxiliaire (A)	3500	800	56	34	82	réglable
Rapide (R)	10500	1700	98	43	150	réglable

Conservez les injecteurs démontés de l'appareil pour un éventuelle future reconversion

## RÉGLAGE DU DÉBIT MINIMAL DES BRÛLEURS

Lors de la conversion à un autre type de gaz, il est également nécessaire de régler le débit minimal des brûleurs : la flamme ne doit jamais s'éteindre, même lorsque l'on passe rapidement de la flamme la plus haute à la flamme la plus basse.

Pour régler la flamme, procédez comme suit :

- Allumez le brûleur
- Mettez la valve au minimum

Sur les valves munies d'une vis de réglage au centre de l'axe (fig. 5.5), à l'aide d'un tournevis d'un diamètre maximum de 3 mm, tournez la vis située à l'intérieur du robinet pour obtenir la hauteur de flamme désirée.

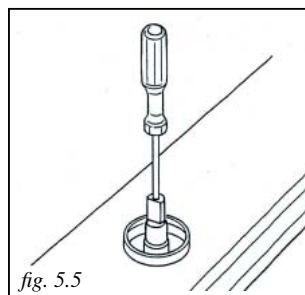


fig. 5.5

Pour le GPL/PROPANE, serrez complètement la vis.

Après le réglage, répétez les opérations indiquées au paragraphe "2 Détendeur" de la page 12.

Si la table de cuisson a été déconnectée du système d'alimentation puis rebranchée, répétez les opérations indiquées au paragraphe "5 Recherche de fuites" de la page 14.

## ⚠ AVERTISSEMENT



### Danger d'électrocution

Branchez dans un connecteur pour prise à 3 broches.

N'enlevez pas la broche de mise à la terre.

N'utilisez pas d'adaptateur.

Le non-respect de ces directives vous expose à un risque de mort, d'incendie ou d'électrocution.

Si la réglementation le permet, il est possible d'utiliser un fil séparé pour la mise à la terre, il est alors recommandé qu'un électricien qualifié détermine que la voie de mise à la terre est adéquate. Si vous n'êtes pas certain que la table de cuisson est correctement reliée à la terre, vérifiez auprès d'un électricien qualifié. N'utilisez pas une canalisation de gaz pour relier l'appareil à la terre.

L'alimentation doit être de type 120 volt, 60 Hz, CC seulement, 15 ampères, avec fusible. L'emploi d'un fusible à action différée ou d'un disjoncteur est recommandé. Il est recommandé d'alimenter l'appareil au moyen d'un circuit séparé n'alimentant que cet appareil.

La prise murale doit être vérifiée par un électricien qualifié qui s'assurera qu'elle est correctement câblée en respectant les polarités.

L'installation de cet appareil doit toujours prévoir une mise à la terre conforme à la réglementation locale.

### Recommandation pour la mise à la terre

Pour votre sécurité personnelle, la table de cuisson doit être reliée à la terre. La table de cuisson est équipée d'une prise à trois broches pour mise à la terre. Pour réduire les risques d'électrocution, le cordon électrique doit être branché directement dans un connecteur pour prise à trois broches relié à la terre installé en conformité avec la dernière édition de la norme ANSI/NFPA 70 du National Electrical Code ou du Code Électrique canadien (CSA) et des normes locales ou ordonnances locales. Si aucun connecteur relié à la terre n'est disponible, le client a la responsabilité et l'obligation de faire installer par un électricien qualifié une prise murale pour prise à trois broches correctement reliée à la terre et polarisée.

## AVERTISSEMENT TRÈS IMPORTANT

Avant toute opération d'entretien, déconnectez l'appareil de l'alimentation électrique.

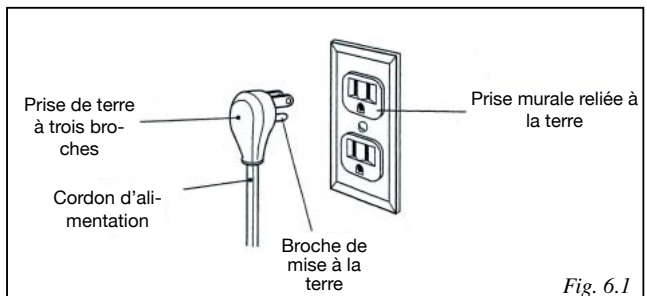
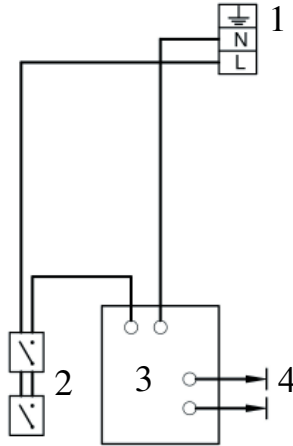


Fig. 6.1

# SCHÉMA DE CÂBLAGE DE L'ALLUMAGE DES BRÛLEURS

fig. 6.2



- 1 - Bloc de connexion
- 2 - Groupe interrupteurs d'allumage
- 3 - Génération de l'allumage
- 4 - Allumeur
- 5 - Génération de l'allumage et du réallumage
- 6 - Interrupteurs d'allumage

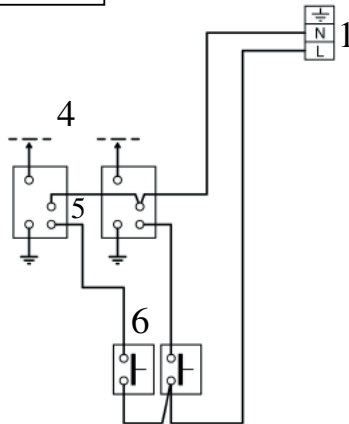


fig. 6.3

# SCHÉMA DE CÂBLAGE ALLUMEUR ET RÉALLUMEUR

---

*The manufacturer declines all the responsibility for possible inaccuracies contained in this pamphlet, due to printing or copying errors. We reserve the right to make on our products those changes to be considered necessary or useful, without jeopardizing the essential characteristics.*

---

---

*Le fabricant décline toute responsabilité pour d'éventuelles inexactitudes contenues dans cette brochure dues à des erreurs de rédaction ou d'imprimerie. Nous nous réservons le droit, sans compromettre les caractéristiques essentielles de l'appareil, d'apporter à nos produits toute modification que nous jugerions nécessaire ou utile.*

---

CODE

1.004.01.0 3th edition



**FAGOR AMERICA, INC.**  
**PO BOX 94**  
**LYNDHURST, NJ 07071**

**Toll Free: 1.800.207.0806**  
**Email: [infoappliances@fagoramerica.com](mailto:infoappliances@fagoramerica.com)**

**[www.fagoramerica.com](http://www.fagoramerica.com)**

The manufacturer reserves the right to modify the items described in this manual.  
Le producteur se réserve le droit de modifier les articles décrits dans cette guide.  
El fabricante se reserva el derecho de modificar los productos descritos en este manual.